



Elk & Wapiti Bull Sale

Wednesday 15th January 2025

Viewing: 11.30am

Sale: 1 pm



John & Mary Falconer

316 Puketoi Runs Road, Ranfurly, 9398

Mob: 0274 344593, Email: info@cbdeer.co.nz



PGG Wrightson Agents

Steve Annan

Mob: 027 2156671

Murray Coutts

Mob: 0274 039377

John Williams

Mob: 0272 414179

Luke Thompson

Mob: 0273 083426

Ben Beadle

Mob: 0277 281052

RLL Agents

Adam Whaanga

Mob: 0274 183438

Craig North

Mob: 0274 730864

Hazlett Livestock

Sam Martin

Mob: 0275 610000

Graham Kinsman

Mob: 0274 223154

Carrfields Livestock

Clayton Jones

Mob: 0275 048606



Hello and welcome to the 2025 Clachanburn sale catalogue. Another busy year with its share of ups and down. It is always great to have the kids home from boarding school for the summer and they have been adding their labour to the farm. Technology seems to be second nature to them and we now have a Clachanburn deer Facebook page set up with regular updates. The challenge will be maintaining that when they go back to school!

It has been a rewarding year for elk farming. We've not long ago had another contract put to us offering premium prices for weaners with a percentage of elk genetics and bonuses for the larger carcass weights. This is a far cry from the days when the larger elk carcasses were penalised! All the progeny of the bulls on sale in the catalogue should be eligible for these contracts.

Elk velvet has been the bright light in a slow start to the velvet season, actively selling and returning around \$30 to \$40 per kg more than red velvet. Not only is the elk velvet heavier, but it can be grown out further for the top money and more kilos means more dollars! At the end of their life the elk are proving to be a sought-after animal for the trophy hunters that come to our country from all over the world. Demand is outstripping supply for elk in the trophy industry.

All up we are looking forward to another year building on the last. We look forward to seeing you on the 15th and hope that you manage to spend some time with friends and family over the summer months.

John and Mary Falconer
Clachanburn Elk

The Small Print

Guarantee

If a bull is proven to be sterile within 12 months of purchase it will be replaced by an animal of similar quality or the purchase price refunded. This guarantee refers specifically to sterility and not to any condition due to accident or illness.

Animal Health

All animals have received an oral dose of Cervidae drench and have had a 20g copper bullet prior to sale. This is recommended again post rut.

TB and Johnes

Our TB status is currently C10. All sale bulls were Tb movement tested in December and also Johnes tested negative with the paralisa test.

Grazing

Grazing is available for a limited period while making transport arrangements. All care and no responsibility.

Transport & Insurance

Purchasers to arrange transport at their own cost. Insurance facilities will be available on the day

Bull Inspection

Prospective buyers are welcome to visit prior to sale day. Please make arrangements with either your livestock agent or directly with John Falconer. Inspection on the day is from 11.30 am.

Accreditation

Clachanburn Elk is a Game industry board accredited deer farm

Farm Assured Livestock

We are audited for the NZ Farm assurance Program by AssureQuality

Refreshments

There will be a light luncheon before the sale and a venison BBQ and some beverages after the auction.

Conditions of Sale

1. The sale will be conducted by PGG Wrightson with the conditions of sale as set down by the New Zealand Stock and Stations Agents Association, a copy of which is exhibited in the office on sale day.
2. Each lot becomes the purchaser's property and risk at the fall of the hammer.
3. Warranties and Insurance are covered under separate headings.
4. Terms are strictly cash unless prior arrangements are made with the auctioneers. Accounts not paid within 14 days of sale shall bear interest, at current rate per annum from the date of sale.
5. The sale is conducted exclusive of GST
6. A buyers commission of 4% is payable to non-participating companies and recognised independent agents introducing and accompanying purchasers to the sale providing prior arrangements (No later than 24hrs prior to sale) are made with PGG Wrightson
7. Intending purchasers are required to register with the auctioneers prior to the commencement of the sale.

Disclaimer

All details and descriptions as to stock referred to in this catalogue have been supplied to PGG Wrightson by the vendor and have not been independently verified by PGG Wrightson. PGG Wrightson, its employees and agents make no representations or warranties or acknowledgement of any kind whatsoever in relation to any part of this catalogue including but not limited to accuracy or completeness of details and descriptions of stock and other contents.

Purchasers, advisers and all other persons viewing or dealing with the stock must make their own assessment on the stock and the information in the catalogue.

PGG Wrightson, its employees and agents are not responsible or liable in any way whatsoever, whether in contract, tort (including negligence), or otherwise, to any person for any loss or any damage whatsoever arising directly or indirectly from any information or misrepresentation included or omitted from this catalogue

Online Auction

As well as the normal auction we will have **bidr** live streaming at the sale.



This sale will be hosted by bidr® (www.bidr.co.nz) as a HYBRID ON-FARM auction, with online bidding and a live-stream available for online purchasers. All intending ONLINE purchasers must register with bidr® in advance of the sale date.

The bidr® team is available to assist intending purchasers with signing up and registering. Please call 0800 TO BIDR (0800 86 2437), or email enquiries@bidr.co.nz for assistance at any point.

Alternatively, contact your local bidr® representative:

Upper North Island: Bruno Santos 027 2218276 Lower North Island: Aimee Flynn 027 2821710

Upper South Island: McKenzie Alfeld 027 3418066 Lower South Island: Sam Murphy 027 2432736

Sales Coordinator: Olivia Manley 021 02203639

Statistics

%Elk

The figure shown is the Elk component of the breed composition from Genomnz.

Weights

We wean either in March or post rut in the first week of May depending on the age of the hinds. Weights are taken for the weaners in March, May, September, at eye-muscle scanning at the end of October and then again in January for 13 month weight. All bulls kept are weighed again the following January and then at the end of December to give us an indication of adult weight.

Birth dates and growth rates

We use foetal age data where available to calculate birth date. Where not available, we have used an average calving date. This is marked with a * and this year is 08/12/2021. A nominal birth weight of 17 kg for Elk males has been used in line with other Elk studs.

EMA

The yearling animals on both studs were scanned for eye muscle area. Both an actual figure and the EBV for this are listed here. This is still not specifically financially rewarded!

Velvet Weight

Most of these bulls have been grown to a special Elk grade, which is grown out further than it has traditionally been and consequently heavier. However, in order to prevent damage during TB testing some were cut early and so their velvet weights are lower. It is something to be aware of when comparing velvet weights, especially between different studs.

EBV's

There are EBV's for different traits, but the linkage between wapiti herds is non-existent in all traits but growth. As the linkage has become weaker we are losing confidence in the comparison between farms. We have moved this year to in herd figures and the percentile bands and colours are provided by Deersselect. They are for 2021 born animals and were current in December, purely across Wapiti herds, not any other species.

The animals are ranked for the sale catalogue data, not for the entire year group. EBV's were true as of 6 December 2024, but unlike growth rates and actual weights they will change as more information is added.

Terminal Index

This is a figure developed by Deersselect. "The Deer Terminal index is a combination of Growth and Meat Breeding values multiplied by an economic weighting to give the overall genetic merit in dollars." However as stated we are using in herd.

Velvet EBV's

Only In herd available

Carla

The CARLA Saliva test has been developed by AgResearch scientists as a powerful tool for selecting deer with greater immunity to internal parasites. The test measures antibodies against worm larvae in deer saliva: animals with high levels of antibodies are better at preventing worms establishing in the gut.

Fertility Testing

For the last 7 years Xcell breeding has been fertility testing the bulls. This comprises of a physical examination as well as microscopic evaluation of the semen.

Care for your bull

Make sure your bulls are out with the females nice and early, ie. mid to late February. Elk are more active early in the rut than later so aim for a high percentage first cycle. This will also give you earlier weaners.

We recommend bulls removed late April to early May. May is the recovery month and dictates the next period, velvet growth. We give all sire bulls a drench and copper (and selenium if required) when they come out. Experience has shown us this is much easier done straight away... don't leave it for a fortnight.

Ensure they are in a safe and secure paddock with lots of feed. Supplement with Lucerne or equivalent. We repeat the health plan before button drop, early to mid-August.

Please talk to your velvet buyer before harvesting time. Elk velvet is very different to red velvet and should not be treated the same if you want to maximise the value you gain from it.

The Future

We are constantly moving our older stud bulls into the trophy mob and bringing in new young ones to replace them. They come in at 3 years, and the older ones go out between 8 and 10 years. This ensures a continual stream of new blood into the sire mob. While bulls can shine with their body weight, velvet and hard antler, the true measure of a sire bull is whether it is leaving progeny better than itself. So we are pretty stoked that so many of Tombstone's progeny are moving into the stud mob. When we first sorted the sale deer and the ones to keep for ourselves it was dominated by Tombstone sons. We had to go back through the list and consequently there some Tombstone sons here that we would normally be using ourselves.

The sire mob has some fantastic bulls already in it. The homebred Kahuna is looking amazing and our Tikana bull Nasa produced the heaviest head we have ever cut at 6 years old. We look forward to seeing how their progeny perform in the next couple of years.



Just as well the kids are getting bigger because the velvet is as well.



Clachanburn Kahuna November 2024

Sire List

Aotea (401/14): A Tikana bred son of Nepia he was a big dominant bull with a good velvet head.

Bigwig (DB12315): A great son of Boss with fantastic velvet and a great body. He was a sensible bull and many of his progeny are inheriting that nature along with the big, heavy body.

BK14021: A big bull that hit over 200kg as a 13 month old and then grew an impressive velvet head and an amazing hard antler head.

Forecaster (417/14): Another Tikana bred bull. He is a very impressive son of Storm with a big body and an impressive velvet head.

Meads: A great cross of Littlebourne and Connemara genetics that has produced a big meaty bull that is pushing up EBV figures for growth. He was a very meaty bull and his progeny seem to be heavy with impressive growth rates.

Magic Mike (OR11135): The result of an AI program using Mayfield Magic he is a great tall bull of the more traditional pure type.

No. 1 (PK13001) & BK14339: Both sons of Boss they were both big and quiet with good heads of velvet. They have fast growth rates and heavy weaners.

PK13164: A great bull that had both high growth rates and heavy velvet.



Bigwig



BK14021



Forecaster

Seafire (PK13201): A stocky bull that has been leaving some impressive offspring. He grew a great head of velvet every year and was grown to hard antler last year

Spectre (WH15393): This son of Skyfall is a large bull that has been used for a number of years across our younger hinds.

Storm (913/09): Bought from Tikana stud as a 5 year old, we picked this son of Trilogy for his great body, heavy velvet and outstanding antler shape. He grew an incredible wide head of hard antler in the summer of 2021/22 that was outstanding to see.

Tombstone (PU16475): The winner of 2023 National Velvet competition. He cut over 20kgs of velvet last year, but has also been a fast growing big bodied bull leaving similar progeny. He seems to have it all, with fast growth rates, good EMA and amazing velvet. An incredible all-round bull.

Tucson (OR11248): One of several great Phoenix sons from 2011 who was the first Clachanburn bred animal to break 20kgs velvet. Big and strong in the body.

Typhoon (WH15331): This big bull has been a popular bull in our export programs, producing some great velvet heads and stocky bodied bulls.

YE17507 & YE17531: Two young bulls of very different breeding that were used across our youngest hinds.



Meads



Seafire



Tombstone

Clachanburn Sale Bull Summary: By Tag Number

Tag No	Lot No	3 yr Velvet	May Weight	9 Mth Weight	13 Mth Weight	12 Mth EBV	EMA EBV	Term sire index	36 Mth Weight
OR21 008	25	6.53	133	159	190	20.71	0.68	33.75	328
OR21 021	9	5.96	119	125	184	10.13	1.1	20.57	336
OR21 027	40	6.47	119	135	176	8.54	0.22	14.18	309
OR21 035	7	7.73	119	156	198	9.42	-0.04	14.06	351
OR21 036	55	6.36	115	139	175	9.65	0.39	17.60	294
OR21 037	57	6.47	120	127	162	8.45	-0.07	15.18	279
OR21 042	20	5.2	113	132	184	2.18	0.36	6.24	325
OR21 044	1	7.06	134	155	204	15.58	1.34	25.29	360
OR21 050	21	5.44	120	134	177	12.51	0.04	20.31	317
OR21 051	48	5.1	110	134	173	6.05	0.38	9.35	280
OR21 053	19	6.49	135	160	191	14.81	0.68	24.56	329
OR21 055	36	6.41	115	138	184	11.31	0.35	18.06	307
OR21 057	33	6.87	124	145	179	13.68	0.49	23.03	301
OR21 066	53	3.64	118	138	172	9.03	0.34	17.89	279
OR21 072	54	5.03		127	160	10.41	0.5	19.87	271
OR21 073	8	7.21	129	166	208	16.95	1.06	30.60	349
OR21 079	39	3.35	93.5	122	166	6.06	1.39	9.06	292
OR21 087	47	4.84	102	135	164	6.91	0.18	8.32	281
OR21 089	52	3.79	126	130	175	12.95	-0.27	22.85	311
OR21 091	12	5.69	139	155	189	27.33	0.67	42.26	339
OR21 092	29	5.06	128	148	191	20.25	0.32		324
OR21 093	37	6.43	118	139		11.86	0.23	18.18	300
OR21 094	3	5.37	130	132	209	24.62	-0.05	38.97	364
OR21 106	35	7.08	130	150	173	21.45	0.84	33.11	316
OR21 108	16	6.24	121	143	183	13.74	0.56	22.62	327
OR21 109	17	6.62	123	147	199	15.22	0.26	23.69	328
OR21 110	15	6.47	121	152	191	16.19	0.29	25.89	332
OR21 115	22	5.63	115	146	191	6.96	0.66	15.67	325
OR21 127	28	5.88	110	136	184	16.22	0.58	23.45	328
OR21 128	24	7.1	128	154	191	14.12	0.99	28.94	319
OR21 140	11	3.2	110	139	185	17.71	0.11	26.14	344
OR21 151	26	7.82	123	162	203	18.35	0.74	29.02	325
OR21 152	49	4.97	114	138	179	8.77	0	16.40	301
OR21 160	2	6.19	139	151	200	22.82	0.73	37.41	352
OR21 164	51	6.02	120	148	171	7.45	-0.24	13.48	280
OR21 168	50	3.75	115	144	174	4.98	-0.41	10.91	282
OR21 173	42	6.72	116	150	172	9.02	0.3	14.05	301
OR21 175	34	5.33	121	151	193	20.72	0.75	33.54	317
OR21 180	6	6.59	134	164	204	21.2	2.07	35.61	357
OR21 186	45	7.4	117	139	181	16.89	1.61	27.11	288

Tag No	Lot No	3 yr Velvet	May Weight	9 Mth Weight	13 Mth Weight	12 Mth EBV	EMA EBV	Term sire Index	36 Mth Weight
OR21 188	38	6.64	92.5	119		4.85	0.92	9.62	306
OR21 190	5	9.8		169	211	19.51	1.31	32.21	378
OR21 197	4	7.18	132	164	210	21.5	1.27	36.05	372
OR21 199	44	3.92	108	130	166	-0.95	-0.46	7.10	301
OR21 204	27	7.52	109	130	178	15.76	1.23	24.58	316
OR21 205	43	7.84	131	155	191	20.1	1.25	34.36	304
OR21 223	56	5.12	90	111	157	14.04	1.65	26.02	281
OR21 257	13	5.37	116	136	187	26.27	1.11	44.30	335
OR21 266	30	4.74	107	120	175	24.86	-0.18	38.61	317
OR21 277	14	7.02	103	118	183	18.07	0.72	29.77	334
OR21 278	31	5.03	106	129	183	12.89	0.86	21.41	322
OR21 279	23	4.87	123	141	181	18.12	1.54	36.14	322
OR21 282	32	7.35	102	121	179	12.83	0.62	21.15	311
OR21 283	46	6.76	97.5	119	174	10.19	0.14	19.25	316
OR21 301	18	5.86	99.5	122	178	14.32	0.16	23.70	329
OR21 332	41	5.44	118	132	177	15.33	0.52	27.10	305
OR21 385	10	5.84	94.5		182	15.9	0.35	27.03	344

Percentile Bands for Wapiti Across Herd Comparison					
	WWTebv	W12eBV	EMAcEBV	Carla10eBV	Terminal Index
Top 2%	14	23.5	3.2	159	41.00
Top 10%	11.7	19.7	2.49	108	35.00
Top 25%	9.8	16.8	1.95	67	30.00
Top 50%	7.7	13.5	1.36	23	25.00

Clachanburn Sale Bull Summary: By Lot Number

Tag No	Lot No	3 yr Velvet	May Weight	9 Mth Weight	13 Mth Weight	12 Mth EBV	EMA EBV	Term sire index	36 Mth Weight
OR21 044	1	7.06	134	155	204	15.58	1.34	25.29	360
OR21 160	2	6.19	139	151	200	22.82	0.73	37.41	352
OR21 094	3	5.37	130	132	209	24.62	-0.05	38.97	364
OR21 197	4	7.18	132	164	210	21.5	1.27	36.05	372
OR21 190	5	9.8		169	211	19.51	1.31	32.21	378
OR21 180	6	6.59	134	164	204	21.2	2.07	35.61	357
OR21 035	7	7.73	119	156	198	9.42	-0.04	14.06	351
OR21 073	8	7.21	129	166	208	16.95	1.06	30.60	349
OR21 021	9	5.96	119	125	184	10.13	1.1	20.57	336
OR21 385	10	5.84	94.5		182	15.9	0.35	27.03	344
OR21 140	11	3.2	110	139	185	17.71	0.11	26.14	344
OR21 091	12	5.69	139	155	189	27.33	0.67	42.26	339
OR21 257	13	5.37	116	136	187	26.27	1.11	44.30	335
OR21 277	14	7.02	103	118	183	18.07	0.72	29.77	334
OR21 110	15	6.47	121	152	191	16.19	0.29	25.89	332
OR21 108	16	6.24	121	143	183	13.74	0.56	22.62	327
OR21 109	17	6.62	123	147	199	15.22	0.26	23.69	328
OR21 301	18	5.86	99.5	122	178	14.32	0.16	23.70	329
OR21 053	19	6.49	135	160	191	14.81	0.68	24.56	329
OR21 042	20	5.2	113	132	184	2.18	0.36	6.24	325
OR21 050	21	5.44	120	134	177	12.51	0.04	20.31	317
OR21 115	22	5.63	115	146	191	6.96	0.66	15.67	325
OR21 279	23	4.87	123	141	181	18.12	1.54	36.14	322
OR21 128	24	7.1	128	154	191	14.12	0.99	28.94	319
OR21 008	25	6.53	133	159	190	20.71	0.68	33.75	328
OR21 151	26	7.82	123	162	203	18.35	0.74	29.02	325
OR21 204	27	7.52	109	130	178	15.76	1.23	24.58	316
OR21 127	28	5.88	110	136	184	16.22	0.58	23.45	328
OR21 092	29	5.06	128	148	191	20.25	0.32	32.29	324
OR21 266	30	4.74	107	120	175	24.86	-0.18	38.61	317
OR21 278	31	5.03	106	129	183	12.89	0.86	21.41	322
OR21 282	32	7.35	102	121	179	12.83	0.62	21.15	311
OR21 057	33	6.87	124	145	179	13.68	0.49	23.03	301
OR21 175	34	5.33	121	151	193	20.72	0.75	33.54	317
OR21 106	35	7.08	130	150	173	21.45	0.84	33.11	316
OR21 055	36	6.41	115	138	184	11.31	0.35	18.06	307
OR21 093	37	6.43	118	139		11.86	0.23	18.18	300
OR21 188	38	6.64	92.5	119		4.85	0.92	9.62	306
OR21 079	39	3.35	93.5	122	166	6.06	1.39	9.06	292
OR21 027	40	6.47	119	135	176	8.54	0.22	14.18	309

Tag No	Lot No	3 yr Velvet	May Weight	9 Mth Weight	13 Mth Weight	12 Mth EBV	EMA EBV	Term sire Index	36 Mth Weight
OR21 332	41	5.44	118	132	177	15.33	0.52	27.10	305
OR21 173	42	6.72	116	150	172	9.02	0.3	14.05	301
OR21 205	43	7.84	131	155	191	20.1	1.25	34.36	304
OR21 199	44	3.92	108	130	166	-0.95	-0.46	7.10	301
OR21 186	45	7.4	117	139	181	16.89	1.61	27.11	288
OR21 283	46	6.76	97.5	119	174	10.19	0.14	19.25	316
OR21 087	47	4.84	102	135	164	6.91	0.18	8.32	281
OR21 051	48	5.1	110	134	173	6.05	0.38	9.35	280
OR21 152	49	4.97	114	138	179	8.77	0	16.40	301
OR21 168	50	3.75	115	144	174	4.98	-0.41	10.91	282
OR21 164	51	6.02	120	148	171	7.45	-0.24	13.48	280
OR21 089	52	3.79	126	130	175	12.95	-0.27	22.85	311
OR21 066	53	3.64	118	138	172	9.03	0.34	17.89	279
OR21 072	54	5.03		127	160	10.41	0.5	19.87	271
OR21 036	55	6.36	115	139	175	9.65	0.39	17.60	294
OR21 223	56	5.12	90	111	157	14.04	1.65	26.02	281
OR21 037	57	6.47	120	127	162	8.45	-0.07	15.18	279

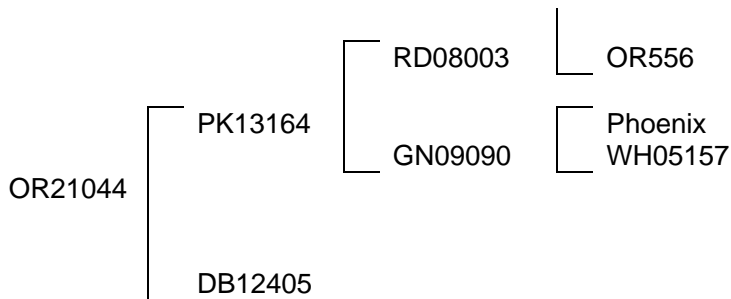
Percentile Bands for Wapiti Across Herd Comparison					
	WWTeBV	W12eBV	EMAcBV	Carla10eBV	Terminal Index
Top 2%	14	23.5	3.2	159	41.00
Top 10%	11.7	19.7	2.49	108	35.00
Top 25%	9.8	16.8	1.95	67	30.00
Top 50%	7.7	13.5	1.36	23	25.00

Lot 1

OR21 044



Left & Above OR21 044 at 3 Years



OR21 044 at 2 Years

Actual Statistics

Body Weight						
March Weight	May Weight	9 Mth Weight	10 Mth Weight	13 Mth Weight	27 Mth Weight	36 Mth Weight
104	134	155	166	204	280	360

EMA
40.26

%Eik
74.7

Carla
24.2
High

DoB

20/11/21

Growth rates grams per day				
Birth	May	Sept	13 Mth	
	684	175	408	
Average overall growth rate: 455				

Velvet			
2 Yr		3Yr	
Weight	Beam	Weight	Beam
3.26	15	7.06	17.5

Estimated Breed Values

Wean Weight	Rank
6.29	29

12 Mth Weight	Rank
15.58	24

EMA	Rank
1.34	6

2Yr Velvet	Rank
0.25	15

Mature Velvet	Rank
0.4	14

Carla	Rank
45.5	13

Notes

Comments:	Sale Day Weight:
Purchaser:	Price:

Terminal Sire Index EBV in Dollars	
\$	Rank
25.29	25

Lot 2

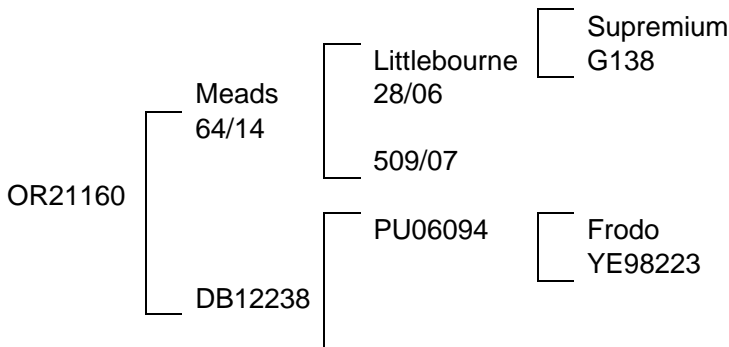
OR21 160



Left & Above OR21 160 at 3 Years



OR21 160 at 2 Years



Actual Statistics

Body Weight						
March Weight	May Weight	9 Mth Weight	10 Mth Weight	13 Mth Weight	27 Mth Weight	36 Mth Weight
110	139	151	160	200	290	352

EMA
38.13

%Eik
69.5

Carla
64.62
High

DoB

10/12/21

Growth rates grams per day				
Birth	May	Sept	13 Mth	
	808	100	408	
Average overall growth rate: 468				

Velvet			
2 Yr		3Yr	
Weight	Beam	Weight	Beam
3.08	14.5	6.19	

Estimated Breed Values

Wean Weight	Rank
11.26	2

12 Mth Weight	Rank
22.82	5

EMA	Rank
0.73	20

2Yr Velvet	Rank
0.14	36

Mature Velvet	Rank
0.2	36

Carla	Rank
42.31	14

Notes

Comments:	Sale Day Weight:
Purchaser:	Price:

Terminal Sire Index EBV in Dollars	
\$	Rank
37.41	5

Lot 3

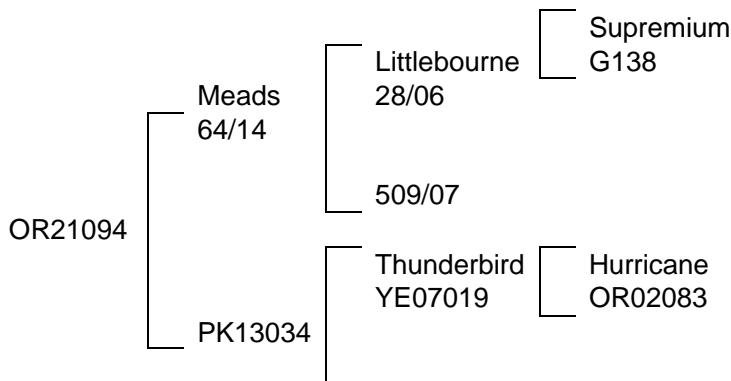
OR21 094



Left & Above OR21 094 at 3 Years



OR21 094 at 2 Years



Actual Statistics

Body Weight						
March Weight	May Weight	9 Mth Weight	10 Mth Weight	13 Mth Weight	27 Mth Weight	36 Mth Weight
93	130	162	172	209	300	364

EMA
30.77

%Eik
74.4

Carla
13.07
High

DoB

10/12/21

Growth rates grams per day				
Birth	May	Sept	13 Mth	
	748	267	392	
Average overall growth rate: 491				

Velvet			
2 Yr		3Yr	
Weight	Beam	Weight	Beam
2.74	13	5.37	15.5

Estimated Breed Values

Wean Weight	Rank
9.73	7

12 Mth Weight	Rank
24.62	4

EMA	Rank
-0.05	51

2Yr Velvet	Rank
0.16	33

Mature Velvet	Rank
0.23	31

Carla	Rank
4.88	25

Notes

Comments:	Sale Day Weight:
Purchaser:	Price:

Terminal Sire Index EBV in Dollars	
\$	Rank
38.97	3

Lot 4

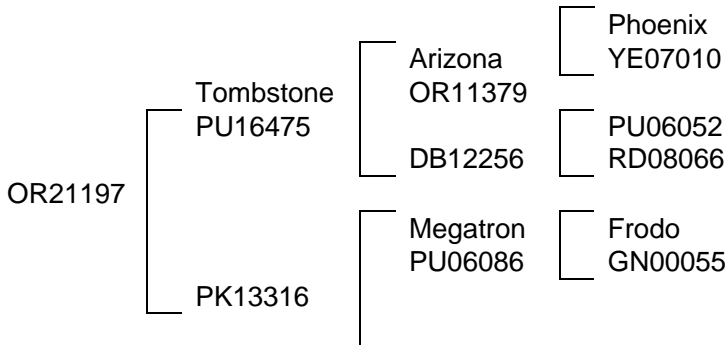
OR21 197



Left & Above OR21 197 at 3 Years



OR21 197 at 2 Years



Actual Statistics

Body Weight						
March Weight	May Weight	9 Mth Weight	10 Mth Weight	13 Mth Weight	27 Mth Weight	36 Mth Weight
104	132	164	183	210	306	372

EMA
43.49

%Elk
80.1

Carla
28.48
High

DoB

18/11/21

Growth rates grams per day				
Birth	May	Sept	13 Mth	
	665	267	383	
Average overall growth rate: 467				

Velvet			
2 Yr		3Yr	
Weight	Beam	Weight	Beam
3.79	15	7.18	17

Estimated Breed Values

Wean Weight	Rank
9.67	8

12 Mth Weight	Rank
21.5	6

EMA	Rank
1.27	8

2Yr Velvet	Rank
0.23	19

Mature Velvet	Rank
0.32	21

Carla	Rank
57.56	9

Notes

Comments:	Sale Day Weight:
Purchaser:	Price:

Terminal Sire Index EBV in Dollars	
\$	Rank
36.05	7

Lot 5



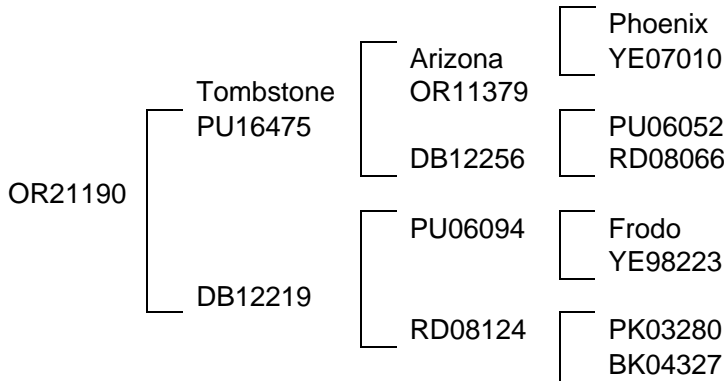
OR21 190



Left & Above OR21 190 at 3 Years



OR21 190 at 2 Years



Actual Statistics

Body Weight						
March Weight	May Weight	9 Mth Weight	10 Mth Weight	13 Mth Weight	27 Mth Weight	36 Mth Weight
104		169	175	211	311	378

EMA
35.98

%EIk
78.9

Carla
18.62
High

DoB

28/11/21

Growth rates grams per day			
Birth	May	Sept	13 Mth
			350
Average overall growth rate: 481			

Velvet			
2 Yr		3Yr	
Weight	Beam	Weight	Beam
4.61	18.5	9.8	21

Estimated Breed Values

Wean Weight	Rank
9.38	12

12 Mth Weight	Rank
19.51	13

EMA	Rank
1.31	7

2Yr Velvet	Rank
0.24	17

Mature Velvet	Rank
0.36	17

Carla	Rank
-20.6	39

Notes

Comments:	Sale Day Weight:
Purchaser:	Price:

Terminal Sire Index EBV in Dollars	
\$	Rank
32.21	14

Lot 6

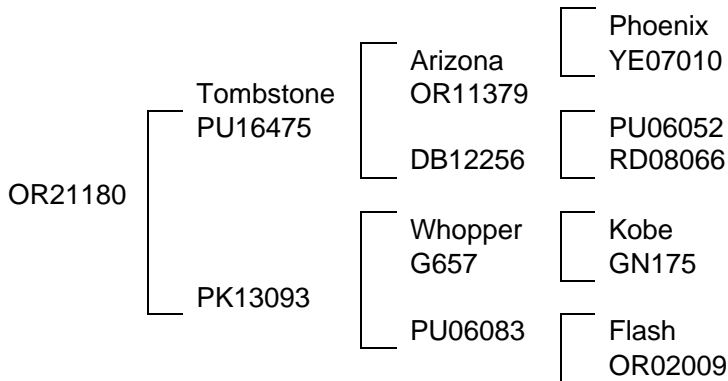
OR21 180



Left & Above OR21 180 at 3 Years



OR21 180 at 2 Years



Actual Statistics

Body Weight						
March Weight	May Weight	9 Mth Weight	10 Mth Weight	13 Mth Weight	27 Mth Weight	36 Mth Weight
101	134	164	172	204	294	357

EMA
43.62

%EIk
80.7

Carla
6.68
High

DoB

28/11/21

Growth rates grams per day				
Birth	May	Sept	13 Mth	
	718	250	333	
Average overall growth rate: 464				

Velvet			
2 Yr		3Yr	
Weight	Beam	Weight	Beam
3.86	15	6.59	18.5

Estimated Breed Values

Wean Weight	Rank
9.42	11

12 Mth Weight	Rank
21.2	8

EMA	Rank
2.07	1

2Yr Velvet	Rank
0.23	18

Mature Velvet	Rank
0.33	19

Carla	Rank
-35.2	45

Notes

Comments:	Sale Day Weight:
Purchaser:	Price:

Terminal Sire Index EBV in Dollars	
\$	Rank
35.61	8

Lot 7



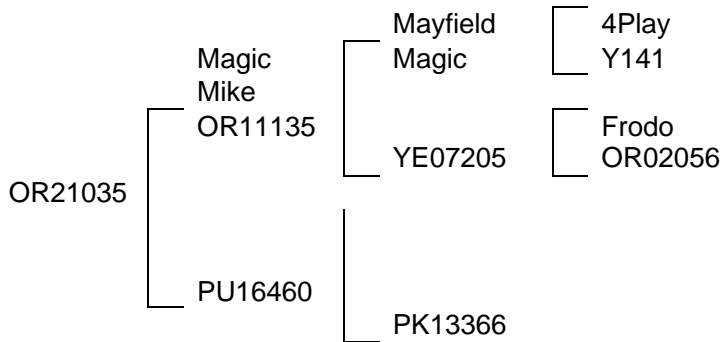
OR21 035



Left & Above OR21 035 at 3 Years



OR21 035 at 2 Years



Actual Statistics

Body Weight						
March Weight	May Weight	9 Mth Weight	10 Mth Weight	13 Mth Weight	27 Mth Weight	36 Mth Weight
93.5	119	156	162	198	291	351

EMA
37.24

%EIk
79.5

Carla
187.2
High

DoB

2/12/21

Growth rates grams per day				
Birth	May	Sept	13 Mth	
	642	308	350	
Average overall growth rate: 454				

Velvet			
2 Yr		3Yr	
Weight	Beam	Weight	Beam
4.21	16.5	7.73	20

Estimated Breed Values

Wean Weight	Rank
5.25	37

12 Mth Weight	Rank
9.42	43

EMA	Rank
-0.04	50

2Yr Velvet	Rank
0.12	40

Mature Velvet	Rank
0.19	39

Carla	Rank
165.4	2

Notes

Comments:	Sale Day Weight:
Purchaser:	Price:

Terminal Sire Index EBV in Dollars	
\$	Rank
14.06	48

Lot 8

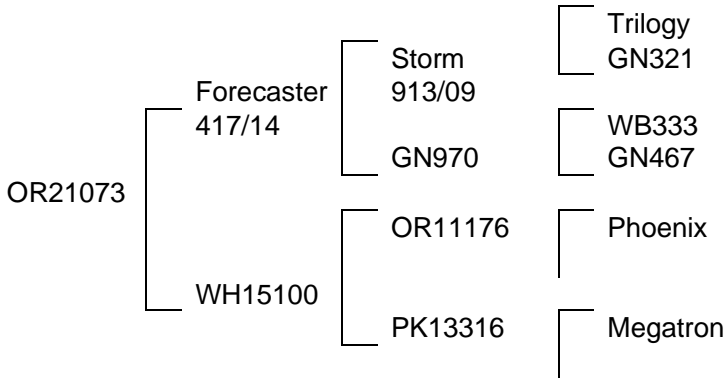
OR21 073



Left & Above OR21 073 at 3 Years



OR21 073 at 2 Years



Actual Statistics

Body Weight						
March Weight	May Weight	9 Mth Weight	10 Mth Weight	13 Mth Weight	27 Mth Weight	36 Mth Weight
105	129	166	175	208	299	349

EMA
43.01

%EIk
78.9

Carla
60.9
High

DoB

25/11/21

Growth rates grams per day				
Birth	May	Sept	13 Mth	
	675	308	350	
Average overall growth rate: 470				

Velvet			
2 Yr		3Yr	
Weight	Beam	Weight	Beam
3.64	14.5	7.21	18

Estimated Breed Values

Wean Weight	Rank
10.21	5

12 Mth Weight	Rank
16.95	18

EMA	Rank
1.06	13

2Yr Velvet	Rank
0.26	14

Mature Velvet	Rank
0.38	15

Carla	Rank
137	3

Notes

Comments:	Sale Day Weight:
Purchaser:	Price:

Terminal Sire Index EBV in Dollars	
\$	Rank
30.60	15

Lot 9

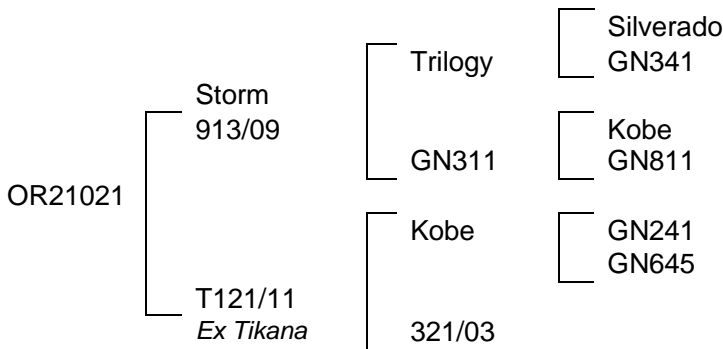
OR21 021



Left & Above OR21 021 at 3 Years



OR21 021 at 2 Years



Actual Statistics

Body Weight						
March Weight	May Weight	9 Mth Weight	10 Mth Weight	13 Mth Weight	27 Mth Weight	36 Mth Weight
84.5	119	125	147	184	248	336

EMA
32.86

%Elk
87.1

Carla
33.19
High

DoB

30/11/21

Growth rates grams per day				
Birth	May	Sept	13 Mth	
	634	50	492	
Average overall growth rate: 416				

Velvet			
2 Yr		3Yr	
Weight	Beam	Weight	Beam
3.83	15.5	5.96	16

Estimated Breed Values

Wean Weight	Rank
5.76	33

12 Mth Weight	Rank
10.13	41

EMA	Rank
1.10	12

2Yr Velvet	Rank
0.1	41

Mature Velvet	Rank
0.14	42

Carla	Rank
31.02	16

Notes

Comments:	Sale Day Weight:
Purchaser:	Price:

Terminal Sire Index EBV in Dollars	
\$	Rank
20.57	36

Lot 10



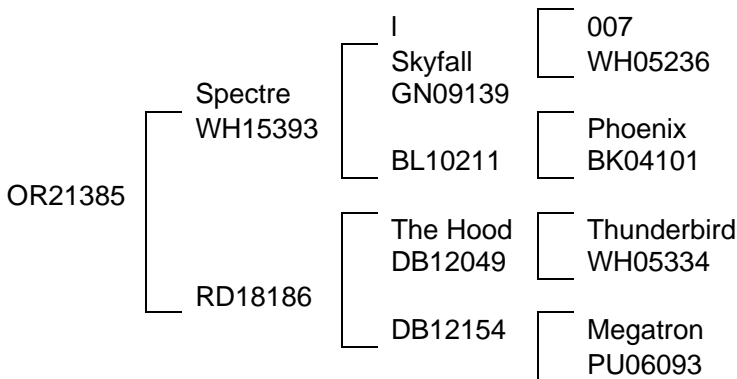
OR21 385



Left & Above OR21 385 at 3 Years



OR21 385 at 3 Years



Actual Statistics

Body Weight						
March Weight	May Weight	9 Mth Weight	10 Mth Weight	13 Mth Weight	27 Mth Weight	36 Mth Weight
77.5	93.5		144	182	284	344

EMA
35.21

%Eik
77.9

Carla
237
High

DoB

6/12/21

Growth rates grams per day			
Birth	May	Sept	13 Mth
	490		
Average overall growth rate: 418			

Velvet			
2 Yr		3Yr	
Weight	Beam	Weight	Beam
3.26	14	5.84	16

Estimated Breed Values

Wean Weight	Rank
6.38	27

12 Mth Weight	Rank
15.9	22

EMA	Rank
0.35	35

2Yr Velvet	Rank
0.35	5

Mature Velvet	Rank
0.53	4

Carla	Rank
222.9	1

Notes

Comments:	Sale Day Weight:
Purchaser:	Price:

Terminal Sire Index EBV in Dollars	
\$	Rank
27.03	21

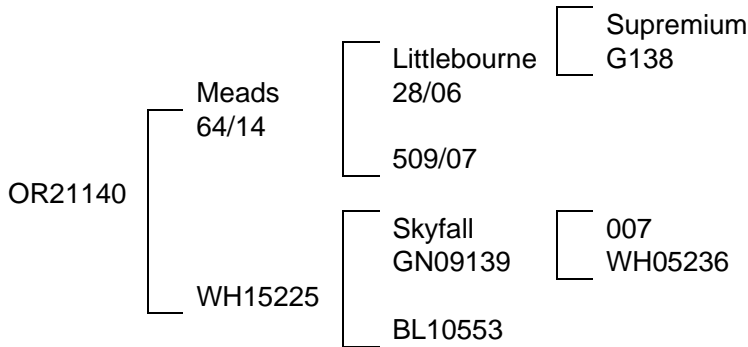
Lot 11



OR21 140



Left & Above OR21 140 at 3 Years



Meads

Actual Statistics

Body Weight						
March Weight	May Weight	9 Mth Weight	10 Mth Weight	13 Mth Weight	27 Mth Weight	36 Mth Weight
93.5	110	139	147	185	279	344

EMA
37.57

%EIk
72.3

Carla
3.27
Med

DoB

4/12/21

Growth rates grams per day				
Birth	May	Sept	13 Mth	
	592	242	383	
Average overall growth rate: 423				

Velvet			
2 Yr		3Yr	
Weight	Beam	Weight	Beam
2.28	12	3.2	13

Estimated Breed Values

Wean Weight	Rank
8.14	19

12 Mth Weight	Rank
17.71	17

EMA	Rank
0.11	47

2Yr Velvet	Rank
0.17	28

Mature Velvet	Rank
0.24	29

Carla	Rank
-45.7	51

Notes

Comments:	Sale Day Weight:
Purchaser:	Price:

Terminal Sire Index EBV in Dollars	
\$	Rank
26.12	22

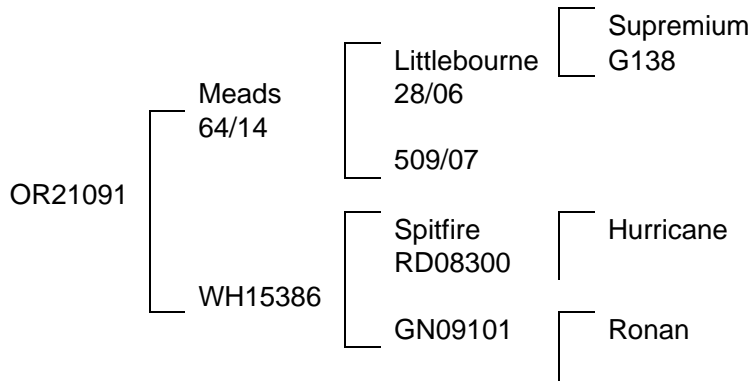
Lot 12



OR21 091



Left & Above OR21 091 at 3 Years



Meads

Actual Statistics

Body Weight						
March Weight	May Weight	9 Mth Weight	10 Mth Weight	13 Mth Weight	27 Mth Weight	36 Mth Weight
101	139	155	161	189	285	339

EMA
41.13

%EIk
72.5

Carla
48.79
High

DoB

10/12/21

Growth rates grams per day				
Birth	May	Sept	13 Mth	
	808	133	283	
Average overall growth rate: 440				

Velvet			
2 Yr		3Yr	
Weight	Beam	Weight	Beam
3.31	16	5.69	17.5

Estimated Breed Values

Wean Weight	Rank
10.63	4

12 Mth Weight	Rank
27.33	1

EMA	Rank
0.67	24

2Yr Velvet	Rank
0.31	11

Mature Velvet	Rank
0.45	11

Carla	Rank
1.53	28

Notes

Comments:	Sale Day Weight:
Purchaser:	Price:

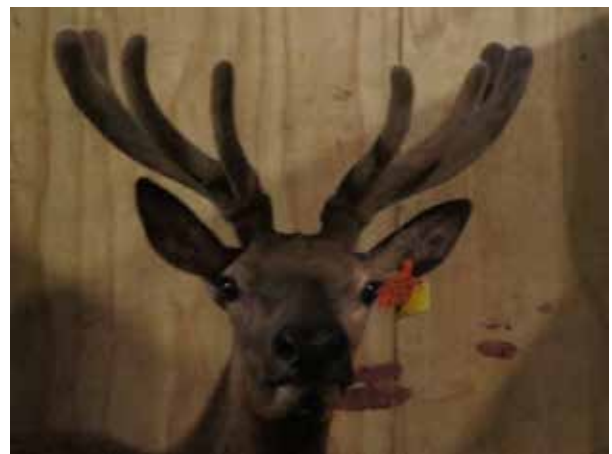
Terminal Sire Index EBV in Dollars	
\$	Rank
42.26	2

Lot 13

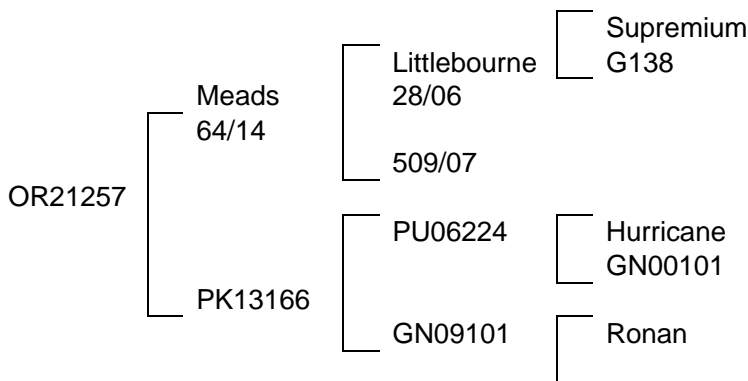
OR21 257



Left & Above OR21 257 at 3 Years



OR21 257 at 2 Years



Actual Statistics

Body Weight						
March Weight	May Weight	9 Mth Weight	10 Mth Weight	13 Mth Weight	27 Mth Weight	36 Mth Weight
85.5	116	136	153	187	277	335

EMA
34.98

%Eik
67.9

Carla
3.11
Med

DoB

15/12/21

Growth rates grams per day				
Birth	May	Sept	13 Mth	
	673	167	429	
Average overall growth rate: 440				

Velvet			
2 Yr		3Yr	
Weight	Beam	Weight	Beam
2.97	15	5.37	17

Estimated Breed Values

Wean Weight	Rank
10.67	3

12 Mth Weight	Rank
26.27	2

EMA	Rank
1.11	11

2Yr Velvet	Rank
0.19	24

Mature Velvet	Rank
0.27	25

Carla	Rank
-59.3	56

Notes

Comments:	Sale Day Weight:
Purchaser:	Price:

Terminal Sire Index EBV in Dollars	
\$	Rank
44.30	1

Lot 14



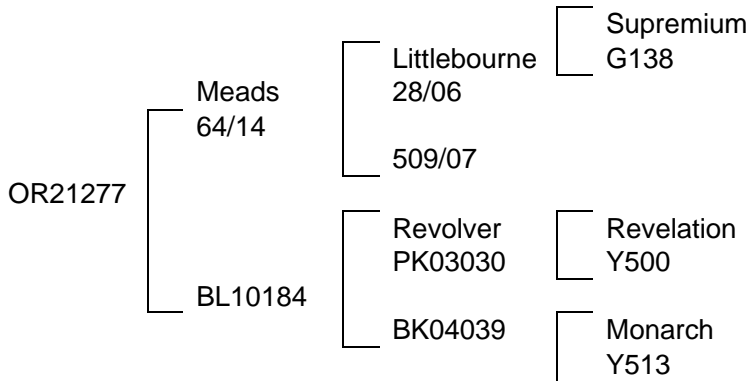
OR21 277



Left & Above OR21 277 at 3 Years



OR21 277 at 2 Years



Actual Statistics

Body Weight						
March Weight	May Weight	9 Mth Weight	10 Mth Weight	13 Mth Weight	27 Mth Weight	36 Mth Weight
72	103	118	142	183	272	334

EMA
31.84

%Eik
71.9

Carla
1.64
Low

DoB

20/12/21

Growth rates grams per day				
Birth	May	Sept	13 Mth	
	606	125	546	
Average overall growth rate: 436				

Velvet			
2 Yr		3Yr	
Weight	Beam	Weight	Beam
3.39	14.5	7.02	15.5

Estimated Breed Values

Wean Weight	Rank
5.34	36

12 Mth Weight	Rank
18.07	16

EMA	Rank
0.72	21

2Yr Velvet	Rank
0.16	32

Mature Velvet	Rank
0.22	34

Carla	Rank
-53.6	55

Notes

Comments:	Sale Day Weight:
Purchaser:	Price:

Terminal Sire Index EBV in Dollars	
\$	Rank
29.77	16

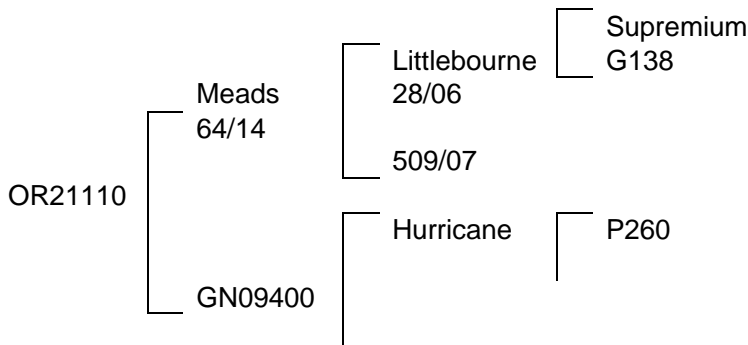
Lot 15



OR21 110



Left & Above OR21 110 at 3 Years



Meads

Actual Statistics

Body Weight						
March Weight	May Weight	9 Mth Weight	10 Mth Weight	13 Mth Weight	27 Mth Weight	36 Mth Weight
91.5	121	152	162	191	262	332

EMA
34.4

%EIk
69.7

Carla
11.27
High

DoB

10/12/21

Growth rates grams per day				
Birth	May	Sept	13 Mth	
	689	258	325	
Average overall growth rate: 445				

Velvet			
2 Yr		3Yr	
Weight	Beam	Weight	Beam
4.11	17.5	6.47	19.5

Estimated Breed Values

Wean Weight	Rank
6.99	25

12 Mth Weight	Rank
16.19	21

EMA	Rank
0.29	40

2Yr Velvet	Rank
0.13	38

Mature Velvet	Rank
0.18	40

Carla	Rank
-15	35

Notes

Comments:	Sale Day Weight:
Purchaser:	Price:

Terminal Sire Index EBV in Dollars	
\$	Rank
25.89	24

Lot 16



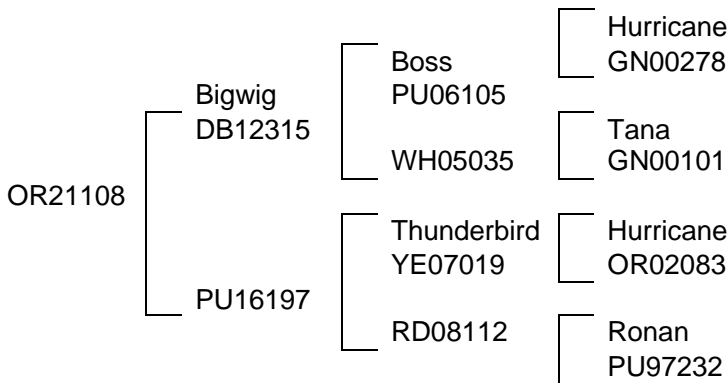
OR21 108



Left & Above OR21 108 at 3 Years



OR21 108 at 2 Years



Actual Statistics

Body Weight						
March Weight	May Weight	9 Mth Weight	10 Mth Weight	13 Mth Weight	27 Mth Weight	36 Mth Weight
84	121	143	153	183	267	327

EMA
36.7

%Elk
77.9

Carla
22.01
High

DoB

7/12/21

Growth rates grams per day				
Birth	May	Sept	13 Mth	
	675	183	333	
Average overall growth rate: 421				

Velvet			
2 Yr		3Yr	
Weight	Beam	Weight	Beam
3.69	16	6.24	17.5

Estimated Breed Values

Wean Weight	Rank
3.02	53

12 Mth Weight	Rank
13.74	31

EMA	Rank
0.56	28

2Yr Velvet	Rank
0.34	6

Mature Velvet	Rank
0.51	8

Carla	Rank
45.98	12

Notes

Comments:	Sale Day Weight:
Purchaser:	Price:

Terminal Sire Index EBV in Dollars	
\$	Rank
22.62	33

Lot 17



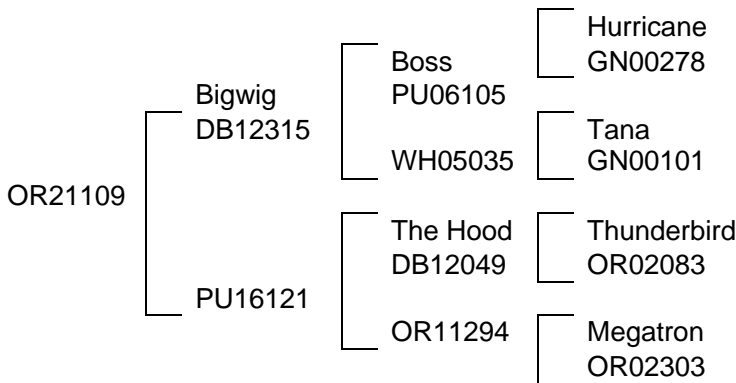
OR21 109



Left & Above OR21 109 at 3 Years



OR21 109 at 2 Years



Actual Statistics

Body Weight						
March Weight	May Weight	9 Mth Weight	10 Mth Weight	13 Mth Weight	27 Mth Weight	36 Mth Weight
90.5	123	147	157	199	282	328

EMA
38.59

%EIk
77.1

Carla
17.15
High

DoB

6/12/21

Growth rates grams per day				
Birth	May	Sept	13 Mth	
	684	200	433	
Average overall growth rate: 461				

Velvet			
2 Yr		3Yr	
Weight	Beam	Weight	Beam
3.2	14.5	6.62	17.5

Estimated Breed Values

Wean Weight	Rank
4.26	46

12 Mth Weight	Rank
15.22	26

EMA	Rank
0.26	41

2Yr Velvet	Rank
0.37	3

Mature Velvet	Rank
0.56	3

Carla	Rank
-7.58	33

Notes

Comments:	Sale Day Weight:
Purchaser:	Price:

Terminal Sire Index EBV in Dollars	
\$	Rank
23.69	29

Lot 18



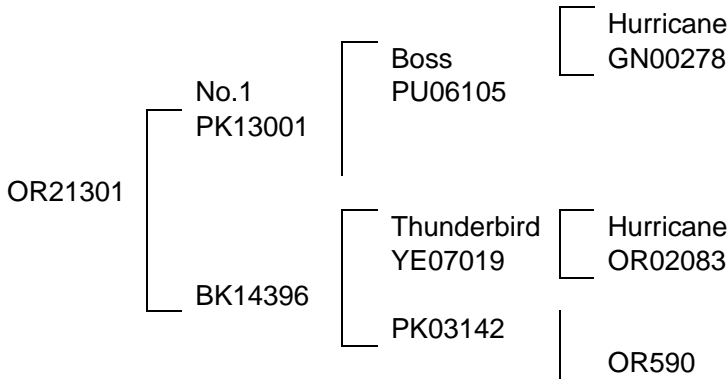
OR21 301



Left & Above OR21 301 at 3 Years



No.1 at 4 Years



Actual Statistics

Body Weight						
March Weight	May Weight	9 Mth Weight	10 Mth Weight	13 Mth Weight	27 Mth Weight	36 Mth Weight
72	99.5	122	141	178		329

EMA
30.02

%EIk
71.9

Carla
17.18
High

DoB

28/12/21

Growth rates grams per day				
Birth	May	Sept	13 Mth	
	616	188	471	
Average overall growth rate: 432				

Velvet			
2 Yr		3Yr	
Weight	Beam	Weight	Beam
2.86	15	5.86	16

Estimated Breed Values

Wean Weight	Rank
6.23	30

12 Mth Weight	Rank
14.32	28

EMA	Rank
0.16	45

2Yr Velvet	Rank
0.33	10

Mature Velvet	Rank
0.5	9

Carla	Rank
8.51	23

Notes

Comments:	Sale Day Weight:
Purchaser:	Price:

Terminal Sire Index EBV in Dollars	
\$	Rank
23.70	28

Lot 19



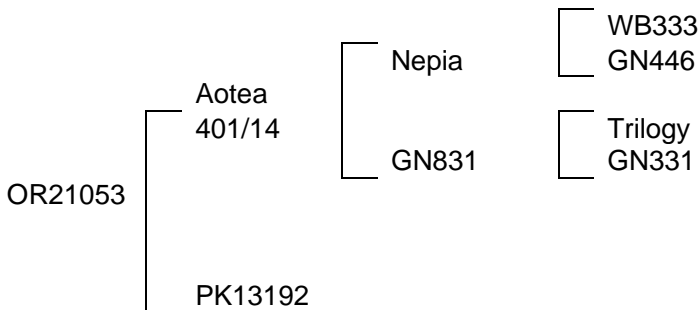
OR21 053



Left & Above OR21 053 at 3 Years



OR21 053 at 3 Years



Actual Statistics

Body Weight						
March Weight	May Weight	9 Mth Weight	10 Mth Weight	13 Mth Weight	27 Mth Weight	36 Mth Weight
106	135	160	165	191	278	329

EMA
39.26

%Eik
77.6

Carla
15.4
High

DoB

20/11/21

Growth rates grams per day				
Birth	May	Sept	13 Mth	
	690	208	258	
Average overall growth rate: 423				

Velvet			
2 Yr		3Yr	
Weight	Beam	Weight	Beam
3.45	14.5	6.49	18

Estimated Breed Values

Wean Weight	Rank
7.92	21

12 Mth Weight	Rank
14.81	27

EMA	Rank
0.68	23

2Yr Velvet	Rank
0.05	46

Mature Velvet	Rank
0.07	46

Carla	Rank
4.67	26

Notes

Comments:	Sale Day Weight:
Purchaser:	Price:

Terminal Sire Index EBV in Dollars	
\$	Rank
24.56	27

Lot 20

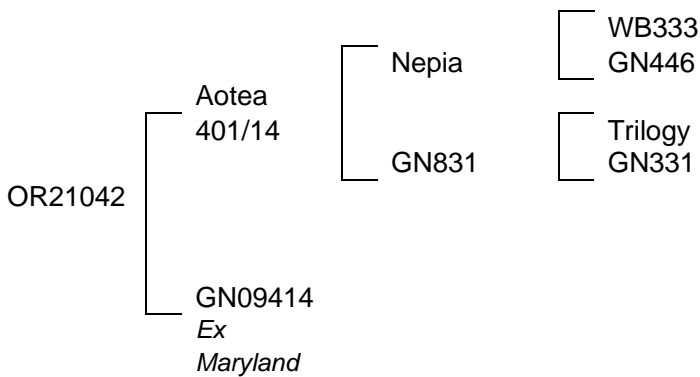
OR21 042



Left & Above OR21 042 at 3 Years



OR21 042 at 3 Years



Actual Statistics

Body Weight						
March Weight	May Weight	9 Mth Weight	10 Mth Weight	13 Mth Weight	27 Mth Weight	36 Mth Weight
91.5	113	132	152	184	259	325

EMA
35.6

%Eik
65.7

Carla
18.3
High

DoB

10/12/21

Growth rates grams per day				
Birth	May	Sept	13 Mth	
	636	158	433	
Average overall growth rate: 427				

Velvet			
2 Yr		3Yr	
Weight	Beam	Weight	Beam
2.53	13.5	5.2	16

Estimated Breed Values

Wean Weight	Rank
3.51	49

12 Mth Weight	Rank
2.18	56

EMA	Rank
0.36	34

2Yr Velvet	Rank
-0.03	55

Mature Velvet	Rank
-0.05	55

Carla	Rank
-28.8	40

Notes

Comments:	Sale Day Weight:
Purchaser:	Price:

Terminal Sire Index EBV in Dollars	
\$	Rank
6.24	56

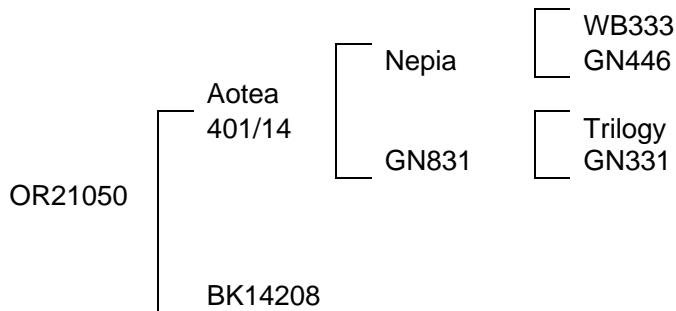
Lot 21



OR21 050



Left & Above OR21 050 at 3 Years



OR21 050 at 3 Years

Actual Statistics

Body Weight						
March Weight	May Weight	9 Mth Weight	10 Mth Weight	13 Mth Weight	27 Mth Weight	36 Mth Weight
91.5	120	134	149	177	258	317

EMA
35.89

%EIk
78.4

Carla
36.87
High

DoB

5/12/21

Growth rates grams per day				
Birth	May	Sept	13 Mth	
	660	117	358	
Average overall growth rate: 404				

Velvet			
2 Yr		3Yr	
Weight	Beam	Weight	Beam
3.33	15	5.44	16

Estimated Breed Values

Wean Weight	Rank
6.93	26

12 Mth Weight	Rank
12.51	36

EMA	Rank
0.04	48

2Yr Velvet	Rank
0.03	52

Mature Velvet	Rank
0.04	52

Carla	Rank
6.25	24

Notes

Comments:	Sale Day Weight:
Purchaser:	Price:

Terminal Sire Index EBV in Dollars	
\$	Rank
20.31	37

Lot 22



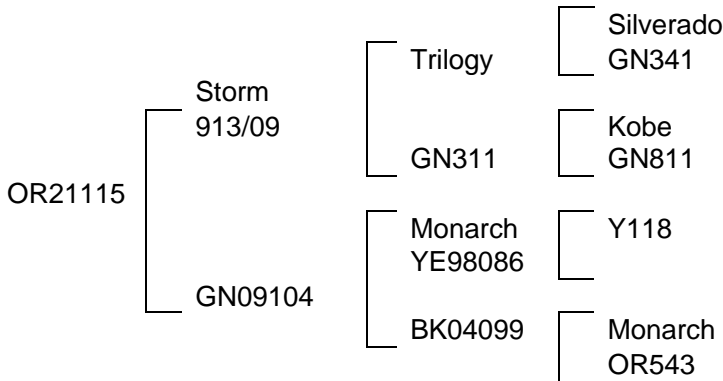
OR21 115



Left & Above OR21 115 at 3 Years



OR21 115 at 2 Years



Actual Statistics

Body Weight						
March Weight	May Weight	9 Mth Weight	10 Mth Weight	13 Mth Weight	27 Mth Weight	36 Mth Weight
91.5	115	146	159	191	271	325

EMA
39.28

%EIk
82.8

Carla
20.92
High

DoB

30/11/21

Growth rates grams per day				
Birth	May	Sept	13 Mth	
	609	258	375	
Average overall growth rate: 434				

Velvet			
2 Yr		3Yr	
Weight	Beam	Weight	Beam
3.39	14	5.63	15

Estimated Breed Values

Wean Weight	Rank
5.7	35

12 Mth Weight	Rank
6.96	50

EMA	Rank
0.66	25

2Yr Velvet	Rank
0.1	42

Mature Velvet	Rank
0.15	41

Carla	Rank
52.41	10

Notes

Comments:	Sale Day Weight:
Purchaser:	Price:

Terminal Sire Index EBV in Dollars	
\$	Rank
15.67	45

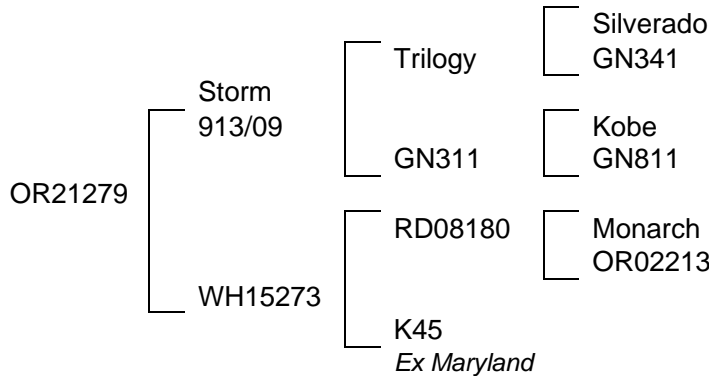
Lot 23



OR21 279



Left & Above OR21 279 at 3 Years



OR21 279 at 2 Years

Actual Statistics

Body Weight						
March Weight	May Weight	9 Mth Weight	10 Mth Weight	13 Mth Weight	27 Mth Weight	36 Mth Weight
91	123	141	156	181	261	322

EMA
33.84

%Elk
75.1

Carla
28.14
High

DoB

14/12/21

Growth rates grams per day			
Birth	May	Sept	13 Mth
	716	150	336
Average overall growth rate: 424			

Velvet			
2 Yr		3Yr	
Weight	Beam	Weight	Beam
2.8	15	4.87	16

Estimated Breed Values

Wean Weight	Rank
10.05	6

12 Mth Weight	Rank
18.12	15

EMA	Rank
1.54	4

2Yr Velvet	Rank
0.04	47

Mature Velvet	Rank
0.05	49

Carla	Rank
11.32	22

Notes

Comments:	Sale Day Weight:
Purchaser:	Price:

Terminal Sire Index EBV in Dollars	
\$	Rank
36.14	6

Lot 24



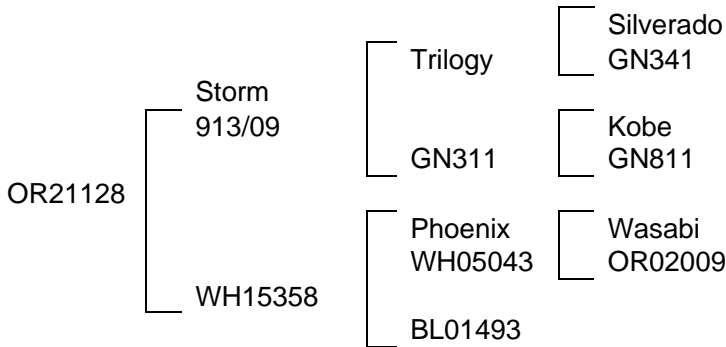
OR21 128



Left & Above OR21 128 at 3 Years



OR21 128 at 2 Years



Actual Statistics

Body Weight						
March Weight	May Weight	9 Mth Weight	10 Mth Weight	13 Mth Weight	27 Mth Weight	36 Mth Weight
110	128	154	166	191	261	319

EMA
43.18

%Eik
70.8

Carla
13.49
High

DoB

8/12/21

Growth rates grams per day				
Birth	May	Sept	13 Mth	
	725	217	308	
Average overall growth rate: 443				

Velvet			
2 Yr		3Yr	
Weight	Beam	Weight	Beam
3.73	16	7.1	18

Estimated Breed Values

Wean Weight	Rank
11.42	1

12 Mth Weight	Rank
14.12	29

EMA	Rank
0.99	14

2Yr Velvet	Rank
0.25	16

Mature Velvet	Rank
0.38	16

Carla	Rank
-45.5	50

Notes

Comments:	Sale Day Weight:
Purchaser:	Price:

Terminal Sire Index EBV in Dollars	
\$	Rank
28.94	18

Lot 25

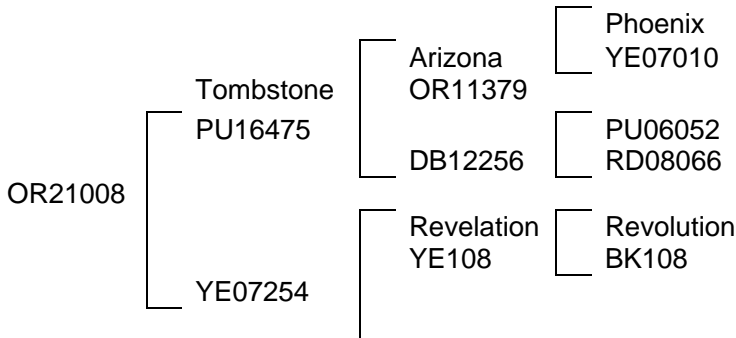
OR21 008



Left & Above OR21 008 at 3 Years



OR21 008 at 2 Years



Actual Statistics

Body Weight						
March Weight	May Weight	9 Mth Weight	10 Mth Weight	13 Mth Weight	27 Mth Weight	36 Mth Weight
96	133	159	175	190	277	328

EMA
32.12

%EIk
81.7

Carla
30.47
High

DoB

29/11/21

Growth rates grams per day			
Birth	May	Sept	13 Mth
716	217	258	
Average overall growth rate: 430			

Velvet			
2 Yr		3Yr	
Weight	Beam	Weight	Beam
4.11	15.5	6.53	17.5

Estimated Breed Values

Wean Weight	Rank
7.82	22

12 Mth Weight	Rank
20.71	10

EMA	Rank
0.68	22

2Yr Velvet	Rank
0.3	12

Mature Velvet	Rank
0.45	12

Carla	Rank
15.63	21

Notes

Comments:	Sale Day Weight:
Purchaser:	Price:

Terminal Sire Index EBV in Dollars	
\$	Rank
33.75	10

Lot 26



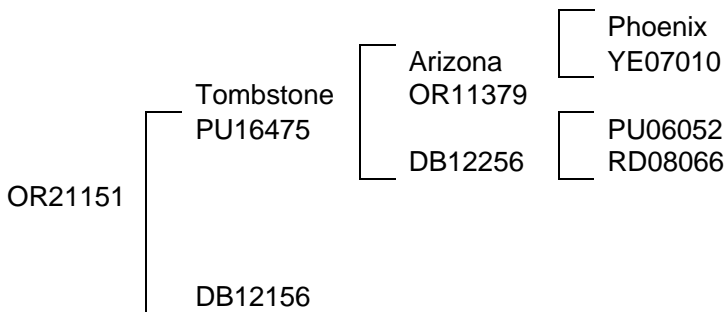
OR21 151



Left & Above OR21 151 at 3 Years



OR21 151 at 2 Years



Actual Statistics

Body Weight						
March Weight	May Weight	9 Mth Weight	10 Mth Weight	13 Mth Weight	27 Mth Weight	36 Mth Weight
92	123	162	172	203	279	325

EMA
38.3

%EIk
83.3

Carla
5.74
Med

DoB

28/11/21

Growth rates grams per day				
Birth	May	Sept	13 Mth	
	650	325	342	
Average overall growth rate: 462				

Velvet			
2 Yr		3Yr	
Weight	Beam	Weight	Beam
4.05	16.5	7.82	18

Estimated Breed Values

Wean Weight	Rank
8.22	17

12 Mth Weight	Rank
18.35	14

EMA	Rank
0.74	19

2Yr Velvet	Rank
0.16	31

Mature Velvet	Rank
0.22	33

Carla	Rank
-34.2	43

Notes

Comments:	Sale Day Weight:
Purchaser:	Price:

Terminal Sire Index EBV in Dollars	
\$	Rank
29.02	17

Lot 27



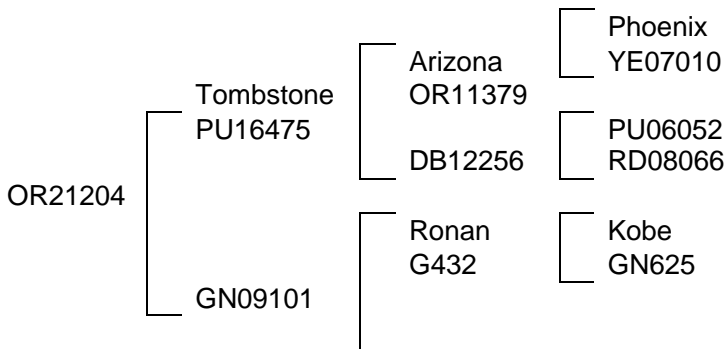
OR21 204



Left & Above OR21 204 at 3 Years



OR21 204 at 2 Years



Actual Statistics

Body Weight						
March Weight	May Weight	9 Mth Weight	10 Mth Weight	13 Mth Weight	27 Mth Weight	36 Mth Weight
86.5	109	130	147	178	261	316

EMA
36.66

%EIk
77.6

Carla
36.63
High

DoB

24/11/21

Growth rates grams per day				
Birth	May	Sept	13 Mth	
	551	175	400	
Average overall growth rate: 396				

Velvet			
2 Yr		3Yr	
Weight	Beam	Weight	Beam
4.25	15.5	7.52	17.5

Estimated Breed Values

Wean Weight	Rank
6.31	28

12 Mth Weight	Rank
15.76	53

EMA	Rank
1.23	10

2Yr Velvet	Rank
0.33	8

Mature Velvet	Rank
0.49	10

Carla	Rank
1.05	30

Notes

Comments:	Sale Day Weight:
Purchaser:	Price:

Terminal Sire Index EBV in Dollars	
\$	Rank
24.58	26

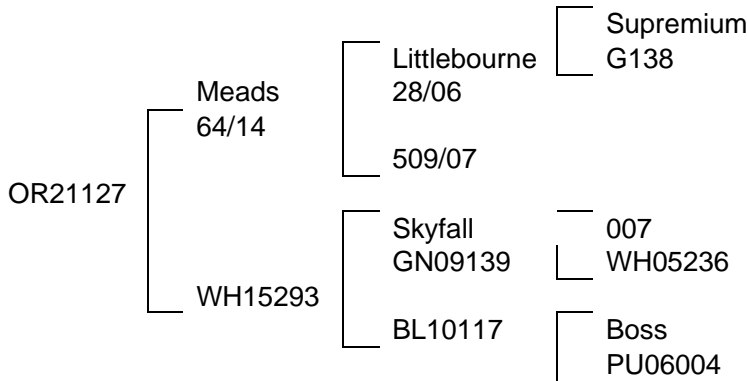
Lot 28



OR21 127



Left & Above OR21 127 at 3 Years



OR21 127 at 3 Years

Actual Statistics

Body Weight						
March Weight	May Weight	9 Mth Weight	10 Mth Weight	13 Mth Weight	27 Mth Weight	36 Mth Weight
84	110	136	149	184	260	328

EMA
37.12

%EIk
75.6

Carla
37.36
High

DoB

29/11/21

Growth rates grams per day				
Birth	May	Sept	13 Mth	
	574	217	400	
Average overall growth rate: 415				

Velvet			
2 Yr		3Yr	
Weight	Beam	Weight	Beam
3.94	15.5	5.88	17.5

Estimated Breed Values

Wean Weight	Rank
5.05	39

12 Mth Weight	Rank
16.22	20

EMA	Rank
0.58	27

2Yr Velvet	Rank
0.15	34

Mature Velvet	Rank
0.21	35

Carla	Rank
50.06	11

Notes

Comments:	Sale Day Weight:
Purchaser:	Price:

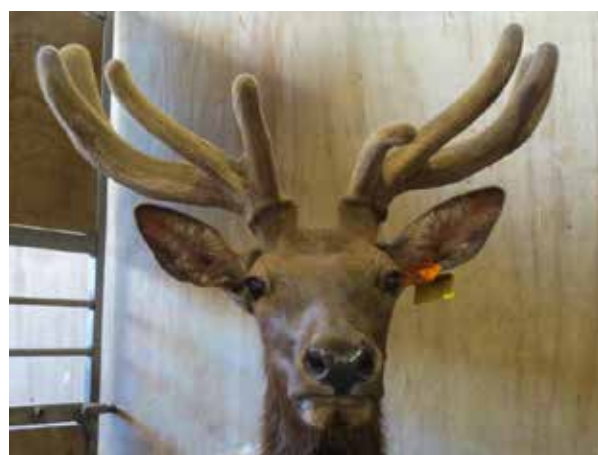
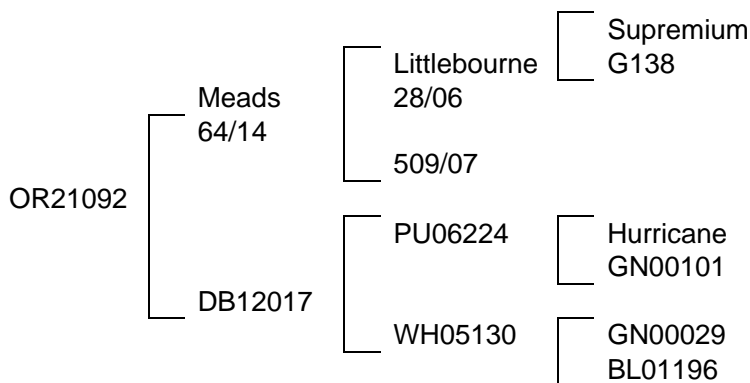
Terminal Sire Index EBV in Dollars	
\$	Rank
23.45	30

Lot 29

OR21 092



Left & Above OR21 092 at 3 Years



OR21 092 at 2 Years

Actual Statistics

Body Weight						
March Weight	May Weight	9 Mth Weight	10 Mth Weight	13 Mth Weight	27 Mth Weight	36 Mth Weight
93.5	128	148	156	191	265	324

EMA
40.86

%Elk
77

Carla
13.71
High

DoB

10/12/21

Growth rates grams per day				
Birth	May	Sept	13 Mth	
	735	167	358	
Average overall growth rate: 445				

Velvet			
2 Yr		3Yr	
Weight	Beam	Weight	Beam
3.52	15	5.06	16.5

Estimated Breed Values

Wean Weight	Rank
8.14	18

12 Mth Weight	Rank
20.25	11

EMA	Rank
0.32	38

2Yr Velvet	Rank
0.08	43

Mature Velvet	Rank
0.11	43

Carla	Rank
-29.5	41

Notes

Comments:	Sale Day Weight:
Purchaser:	Price:

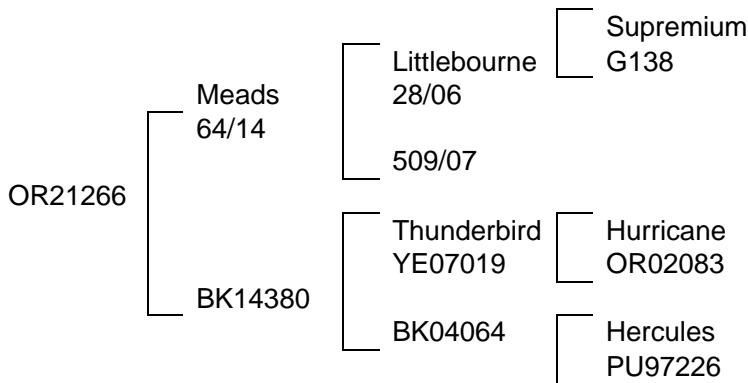
Terminal Sire Index EBV in Dollars	
\$	Rank
32.29	13

Lot 30

OR21 266



Left & Above OR21 266 at 3 Years



OR21 266 at 3 Years

Actual Statistics

Body Weight						
March Weight	May Weight	9 Mth Weight	10 Mth Weight	13 Mth Weight	27 Mth Weight	36 Mth Weight
75	107	120	139	175	246	317

EMA
33.29

%EIk
72.3

Carla
48.19
High

DoB

30/12/21

Growth rates grams per day				
Birth	May	Sept	13 Mth	
	682	108	462	
Average overall growth rate: 438				

Velvet			
2 Yr		3Yr	
Weight	Beam	Weight	Beam
2	13	4.74	15.5

Estimated Breed Values

Wean Weight	Rank
9.49	10

12 Mth Weight	Rank
24.86	3

EMA	Rank
-0.18	53

2Yr Velvet	Rank
0.22	23

Mature Velvet	Rank
0.32	23

Carla	Rank
92.21	5

Notes

Comments:	Sale Day Weight:
Purchaser:	Price:

Terminal Sire Index EBV in Dollars	
\$	Rank
38.61	4

Lot 31



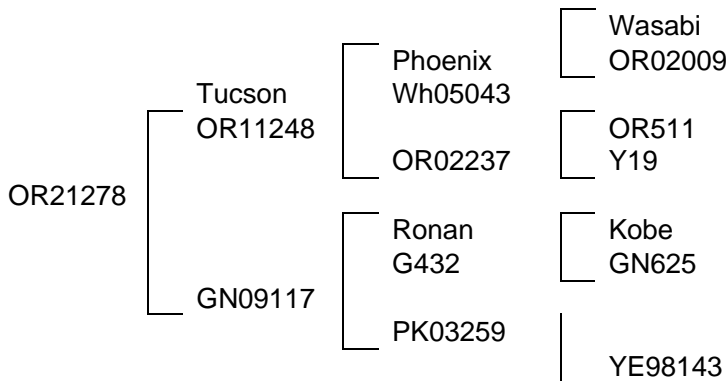
OR21 278



Left & Above OR21 278 at 3 Years



Tucson



Actual Statistics

Body Weight						
March Weight	May Weight	9 Mth Weight	10 Mth Weight	13 Mth Weight	27 Mth Weight	36 Mth Weight
82.5	106	129	147	183	261	322

EMA
34.58

%Elk
72.3

Carla
3.62
Med

DoB

27/11/21

Growth rates grams per day				
Birth	May	Sept	13 Mth	
	539	192	454	
Average overall growth rate: 411				

Velvet			
2 Yr		3Yr	
Weight	Beam	Weight	Beam
3.06	16	5.0318	

Estimated Breed Values

Wean Weight	Rank
4.59	44

12 Mth Weight	Rank
12.89	34

EMA	Rank
0.86	16

2Yr Velvet	Rank
0.33	9

Mature Velvet	Rank
0.53	5

Carla	Rank
-47.5	52

Notes

Comments:	Sale Day Weight:
Purchaser:	Price:

Terminal Sire Index EBV in Dollars	
\$	Rank
21.41	34

Lot 32



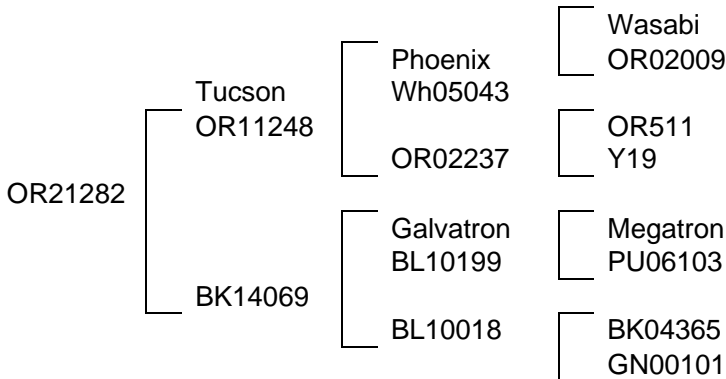
OR21 282



Left & Above OR21 282 at 3 Years



OR21 282 at 2 Years



Actual Statistics

Body Weight						
March Weight	May Weight	9 Mth Weight	10 Mth Weight	13 Mth Weight	27 Mth Weight	36 Mth Weight
83	102	121	139	179	261	311

EMA
30.45

%EIk
72

Carla
18.69
High

DoB

7/12/21

Growth rates grams per day				
Birth	May	Sept	13 Mth	
	548	158	487	
Average overall growth rate: 411				

Velvet			
2 Yr		3Yr	
Weight	Beam	Weight	Beam
3.01	15	7.35	17

Estimated Breed Values

Wean Weight	Rank
6.12	31

12 Mth Weight	Rank
12.83	35

EMA	Rank
0.62	26

2Yr Velvet	Rank
0.03	50

Mature Velvet	Rank
0.07	47

Carla	Rank
1.09	29

Notes

Comments:	Sale Day Weight:
Purchaser:	Price:

Terminal Sire Index EBV in Dollars	
\$	Rank
21.15	35

Lot 33



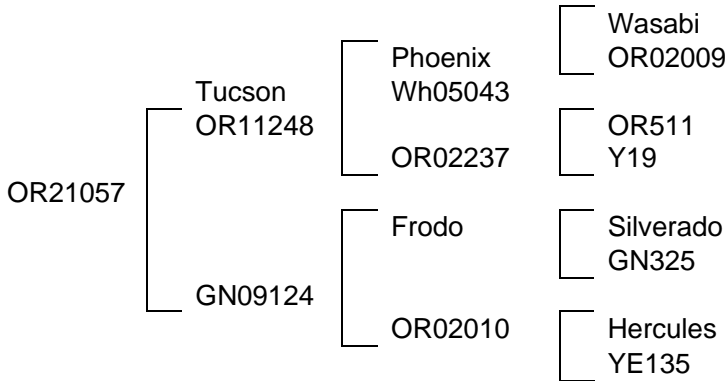
OR21 057



Left & Above OR21 057 at 3 Years



Tucson



Actual Statistics

Body Weight						
March Weight	May Weight	9 Mth Weight	10 Mth Weight	13 Mth Weight	27 Mth Weight	36 Mth Weight
99.5	124	145	153	179	254	301

EMA
34.94

%Elk
70.2

Carla
8.606
High

DoB

18/11/21

Growth rates grams per day				
Birth	May	Sept	13 Mth	
	618	175	283	
Average overall growth rate: 392				

Velvet			
2 Yr		3Yr	
Weight	Beam	Weight	Beam
3.54	15	6.87	17

Estimated Breed Values

Wean Weight	Rank
6.07	32

12 Mth Weight	Rank
13.68	32

EMA	Rank
0.49	31

2Yr Velvet	Rank
0.22	21

Mature Velvet	Rank
0.35	18

Carla	Rank
-14.4	34

Notes

Comments:	Sale Day Weight:
Purchaser:	Price:

Terminal Sire Index EBV in Dollars	
\$	Rank
23.03	31

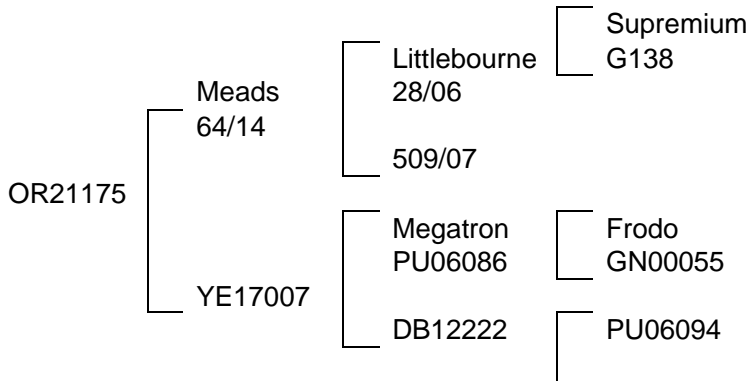
Lot 34



OR21 175



Left & Above OR21 175 at 3 Years



OR21 175 at 2 Years

Actual Statistics

Body Weight						
March Weight	May Weight	9 Mth Weight	10 Mth Weight	13 Mth Weight	27 Mth Weight	36 Mth Weight
91.5	121	151	165	193	267	317

EMA
36.9

%Elk
72.7

Carla
33.96
High

DoB

25/12/21

Growth rates grams per day				
Birth	May	Sept	13 Mth	
	765	250	350	
Average overall growth rate: 468				

Velvet			
2 Yr		3Yr	
Weight	Beam	Weight	Beam
2.34	13.5	5.33	15.5

Estimated Breed Values

Wean Weight	Rank
9.64	9

12 Mth Weight	Rank
20.72	9

EMA	Rank
0.75	18

2Yr Velvet	Rank
0.06	45

Mature Velvet	Rank
0.07	45

Carla	Rank
-18.7	35

Notes

Comments:	Sale Day Weight:
Purchaser:	Price:

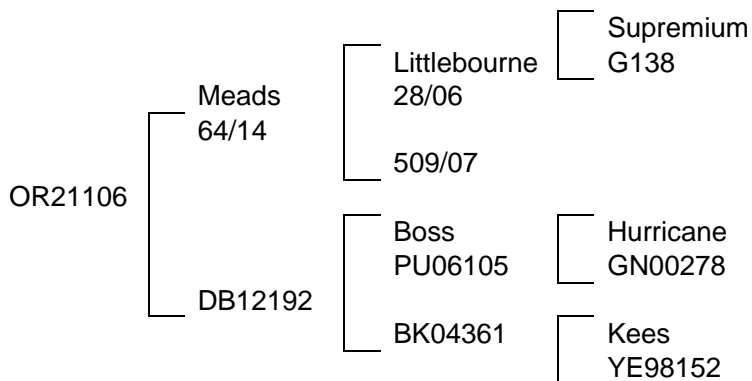
Terminal Sire Index EBV in Dollars	
\$	Rank
33.54	11

Lot 35

OR21 106



Left & Above OR21 106 at 3 Years



OR21 106 at 2 Years

Actual Statistics

Body Weight						
March Weight	May Weight	9 Mth Weight	10 Mth Weight	13 Mth Weight	27 Mth Weight	36 Mth Weight
98.5	130	150	149	173	252	316

EMA
37.15

%Elk
78.2

Carla
6.69
High

DoB

10/12/21

Growth rates grams per day				
Birth	May	Sept	13 Mth	
	748	167	192	
Average overall growth rate: 399				

Velvet			
2 Yr		3Yr	
Weight	Beam	Weight	Beam
3.58	15.5	7.08	18

Estimated Breed Values

Wean Weight	Rank
8.76	15

12 Mth Weight	Rank
21.45	7

EMA	Rank
0.84	17

2Yr Velvet	Rank
0.16	30

Mature Velvet	Rank
0.22	32

Carla	Rank
-40.5	48

Notes

Comments:	Sale Day Weight:
Purchaser:	Price:

Terminal Sire Index EBV in Dollars	
\$	Rank
33.11	12

Lot 36



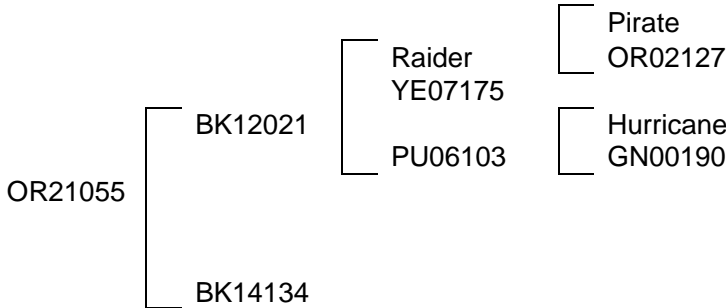
OR21 055



Left & Above OR21 055 at 3 Years



OR21 055 at 2 Years



Actual Statistics

Body Weight						
March Weight	May Weight	9 Mth Weight	10 Mth Weight	13 Mth Weight	27 Mth Weight	36 Mth Weight
91	115	138	158	184	262	307

EMA
38.77

%EIk
72.9

Carla
16.1
High

DoB

8/12/21

Growth rates grams per day				
Birth	May	Sept	13 Mth	
	641	192	383	
Average overall growth rate: 425				

Velvet			
2 Yr		3Yr	
Weight	Beam	Weight	Beam
3.31	15	6.41	17.5

Estimated Breed Values

Wean Weight	Rank
5.21	38

12 Mth Weight	Rank
11.31	38

EMA	Rank
0.35	36

2Yr Velvet	Rank
0.03	51

Mature Velvet	Rank
0.04	51

Carla	Rank
69.85	8

Notes

Comments:	Sale Day Weight:
Purchaser:	Price:

Terminal Sire Index EBV in Dollars	
\$	Rank
18.06	41

Lot 37



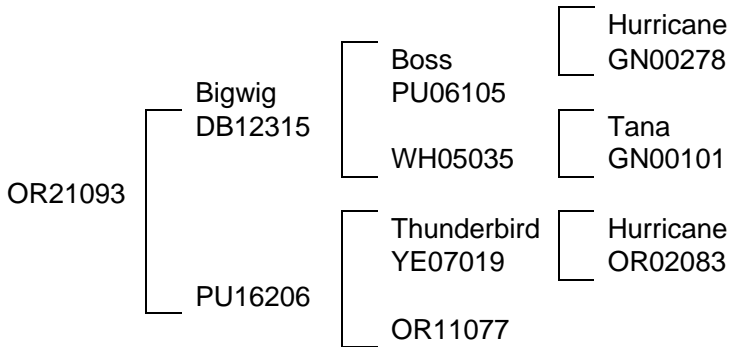
OR21 093



Left & Above OR21 093 at 3 Years



OR21 093 at 2 Years



Actual Statistics

Body Weight						
March Weight	May Weight	9 Mth Weight	10 Mth Weight	13 Mth Weight	27 Mth Weight	36 Mth Weight
87.5	118	139	152		266	300

EMA
34.63

%Eik
81.8

Carla
51.78
High

DoB

12/12/21

Growth rates grams per day			
Birth	May	Sept	13 Mth
	678	175	
Average overall growth rate:			

Velvet			
2 Yr		3Yr	
Weight	Beam	Weight	Beam
3.66	15.5	6.43	17.5

Estimated Breed Values

Wean Weight	Rank
3.74	48

12 Mth Weight	Rank
11.86	37

EMA	Rank
0.23	42

2Yr Velvet	Rank
0.17	27

Mature Velvet	Rank
0.27	26

Carla	Rank
79.40	7

Notes

Comments:	Sale Day Weight:
Purchaser:	Price:

Terminal Sire Index EBV in Dollars	
\$	Rank
18.18	40

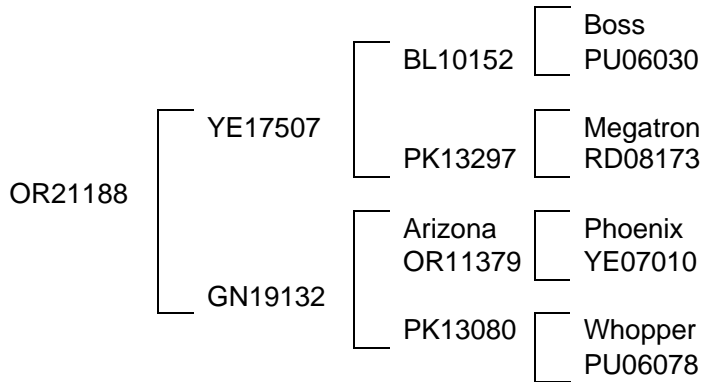
Lot 38



OR21 188



Left & Above OR21 188 at 3 Years



OR21 188 at 3 Years

Actual Statistics

Body Weight						
March Weight	May Weight	9 Mth Weight	10 Mth Weight	13 Mth Weight	27 Mth Weight	36 Mth Weight
66.5	92.5	119	132		224	306

EMA
30.05

%EIk
80.5

Carla
73.04
High

DoB*

8/12/21

Growth rates grams per day				
Birth	May	Sept	13 Mth	
	578	183	350	
Average overall growth rate: 397				

Velvet			
2 Yr		3Yr	
Weight	Beam	Weight	Beam
2.95	14.5	6.64	17

Estimated Breed Values

Wean Weight	Rank
0.58	57

12 Mth Weight	Rank
4.85	55

EMA	Rank
0.92	15

2Yr Velvet	Rank
0.22	20

Mature Velvet	Rank
0.32	22

Carla	Rank
16.21	20

Notes

Comments:	Sale Day Weight:
Purchaser:	Price:

Terminal Sire Index EBV in Dollars	
\$	Rank
9.62	52

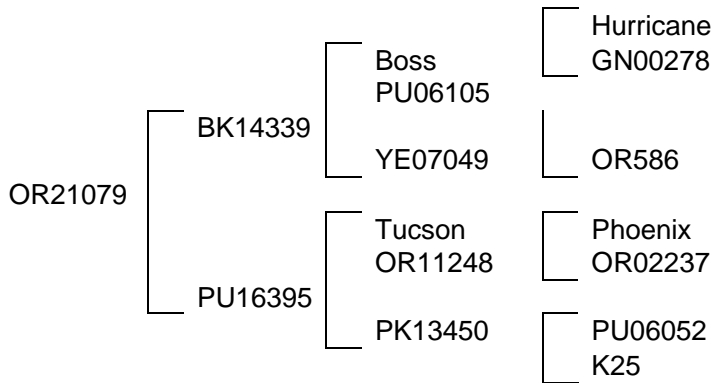
Lot 39



OR21 079



Left & Above OR21 079 at 3 Years



OR21 079 at 3 Years

Actual Statistics

Body Weight						
March Weight	May Weight	9 Mth Weight	10 Mth Weight	13 Mth Weight	27 Mth Weight	36 Mth Weight
86	93.5	122	138	166	243	292

EMA
33.79

%EIk
70.5

Carla
2.276
Low

DoB

2/12/21

Growth rates grams per day				
Birth	May	Sept	13 Mth	
	481	238	367	
Average overall growth rate: 373				

Velvet			
2 Yr		3Yr	
Weight	Beam	Weight	Beam
2.32	16	3.35	15

Estimated Breed Values

Wean Weight	Rank
3.43	50

12 Mth Weight	Rank
6.06	52

EMA	Rank
1.39	5

2Yr Velvet	Rank
0.28	13

Mature Velvet	Rank
0.41	13

Carla	Rank
-34.8	44

Notes

Comments:	Sale Day Weight:
Purchaser:	Price:

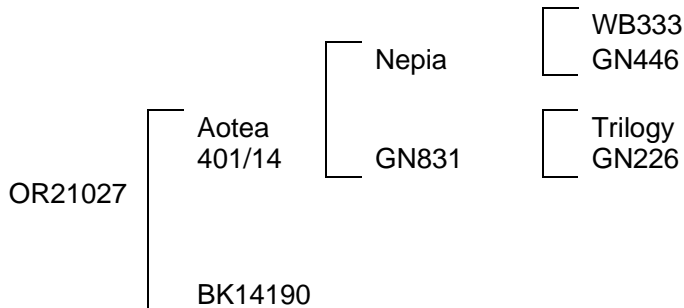
Terminal Sire Index EBV in Dollars	
\$	Rank
9.06	54

Lot 40

OR21 027



Left & Above OR21 027 at 3 Years



OR21 027 at 3 Years

Actual Statistics

Body Weight						
March Weight	May Weight	9 Mth Weight	10 Mth Weight	13 Mth Weight	27 Mth Weight	36 Mth Weight
95	119	135	146	176	248	309

EMA
37.71

%Eik
80.5

Carla
2.92
Low

DoB

30/11/21

Growth rates grams per day				
Birth	May	Sept	13 Mth	
	634	133	342	
Average overall growth rate: 397				

Velvet			
2 Yr		3Yr	
Weight	Beam	Weight	Beam
3.86	17	6.47	18.5

Estimated Breed Values

Wean Weight	Rank
5.74	34

12 Mth Weight	Rank
8.54	47

EMA	Rank
0.22	43

2Yr Velvet	Rank
-0.01	54

Mature Velvet	Rank
-0.01	54

Carla	Rank
-51.5	54

Notes

Comments:	Sale Day Weight:
Purchaser:	Price:

Terminal Sire Index EBV in Dollars	
\$	Rank
14.18	47

Lot 41



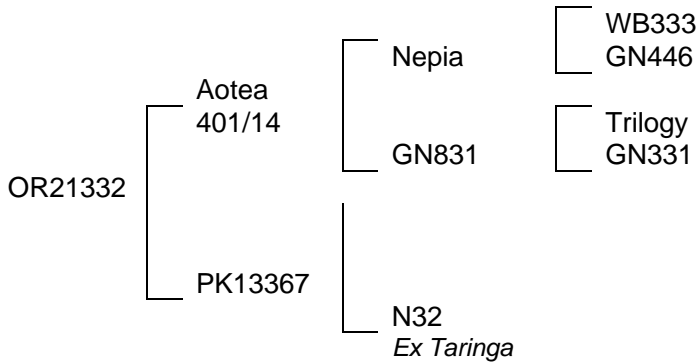
OR21 332



Left & Above OR21 332 at 3 Years



OR21 332 at 3 Years



Actual Statistics

Body Weight						
March Weight	May Weight	9 Mth Weight	10 Mth Weight	13 Mth Weight	27 Mth Weight	36 Mth Weight
92.5	118	132	149	177	242	305

EMA
36.68

%Elk
71.7

Carla
9.94
High

DoB

15/12/21

Growth rates grams per day				
Birth	May	Sept	13 Mth	
	687	117	378	
Average overall growth rate: 415				

Velvet			
2 Yr		3Yr	
Weight	Beam	Weight	Beam
3.27	15.5	5.44	17.5

Estimated Breed Values

Wean Weight	Rank
8.97	14

12 Mth Weight	Rank
15.33	25

EMA	Rank
0.52	29

2Yr Velvet	Rank
0.01	53

Mature Velvet	Rank
0.02	53

Carla	Rank
-35.5	46

Notes

Comments:	Sale Day Weight:
Purchaser:	Price:

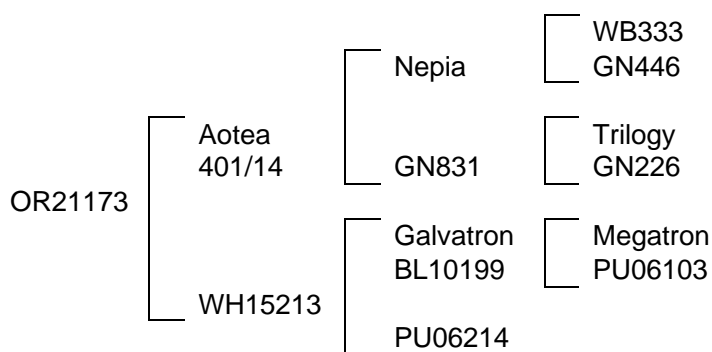
Terminal Sire Index EBV in Dollars	
\$	Rank
27.10	20

Lot 42

OR21 173



Left & Above OR21 173 at 3 Years



Dam's sire Galvatron

Actual Statistics

Body Weight						
March Weight	May Weight	9 Mth Weight	10 Mth Weight	13 Mth Weight	27 Mth Weight	36 Mth Weight
90.5	116	150	153	172	245	301

EMA
41.78

%Elk
76.2

Carla
3.45
Med

DoB

19/11/21

Growth rates grams per day				
Birth	May	Sept	13 Mth	
	576	283	183	
Average overall growth rate: 376				

Velvet			
2 Yr		3Yr	
Weight	Beam	Weight	Beam
3.85	17	6.72	20.5

Estimated Breed Values

Wean Weight	Rank
4.78	43

12 Mth Weight	Rank
9.02	45

EMA	Rank
0.3	39

2Yr Velvet	Rank
-0.14	57

Mature Velvet	Rank
-0.22	57

Carla	Rank
-30.1	42

Notes

Comments:	Sale Day Weight:
Purchaser:	Price:

Terminal Sire Index EBV in Dollars	
\$	Rank
14.05	49

Lot 43



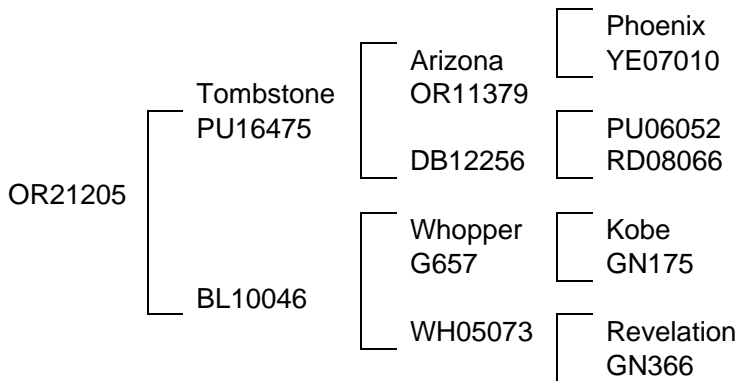
OR21 205



Left & Above OR21 205 at 3 Years



OR21 205 at 2 Years



Actual Statistics

Body Weight						
March Weight	May Weight	9 Mth Weight	10 Mth Weight	13 Mth Weight	27 Mth Weight	36 Mth Weight
100	131	155	168	191	273	304

EMA
36.39

%EIk
77.6

Carla
1.13
Low

DoB

23/11/21

Growth rates grams per day				
Birth	May	Sept	13 Mth	
	679	200	300	
Average overall growth rate: 426				

Velvet			
2 Yr		3Yr	
Weight	Beam	Weight	Beam
3.98	17	7.84	19.5

Estimated Breed Values

Wean Weight	Rank
8.97	13

12 Mth Weight	Rank
20.10	12

EMA	Rank
1.25	9

2Yr Velvet	Rank
0.36	4

Mature Velvet	Rank
0.52	6

Carla	Rank
-49.9	53

Notes

Comments:	Sale Day Weight:
Purchaser:	Price:

Terminal Sire Index EBV in Dollars	
\$	Rank
34.36	9

Lot 44



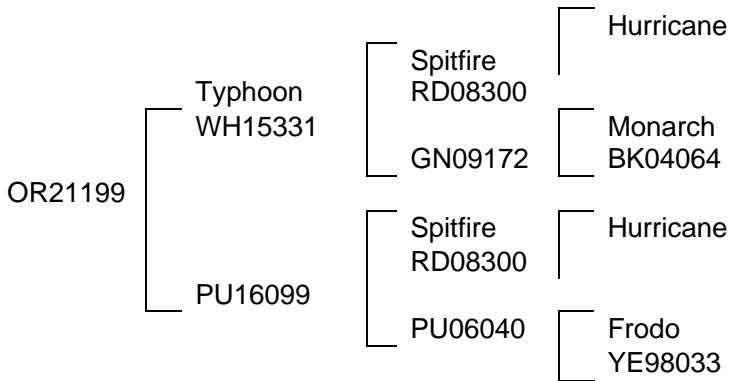
OR21 199



Left & Above OR21 199 at 3 Years



OR21 199 at 3 Years



Actual Statistics

Body Weight						
March Weight	May Weight	9 Mth Weight	10 Mth Weight	13 Mth Weight	27 Mth Weight	36 Mth Weight
86.5	108	130	139	166	233	301

EMA
29.46

%EIk
79.7

Carla
10.24
High

DoB

11/12/21

Growth rates grams per day				
Birth	May	Sept	13 Mth	
	607	183	300	
Average overall growth rate: 382				

Velvet			
2 Yr		3Yr	
Weight	Beam	Weight	Beam
2.49	14.5	3.92	16

Estimated Breed Values

Wean Weight	Rank
1.23	55

12 Mth Weight	Rank
-0.95	57

EMA	Rank
-0.46	57

2Yr Velvet	Rank
0.44	1

Mature Velvet	Rank
0.69	1

Carla	Rank
20.48	18

Notes

Comments:	Sale Day Weight:
Purchaser:	Price:

Terminal Sire Index EBV in Dollars	
\$	Rank
7.10	57

Lot 45



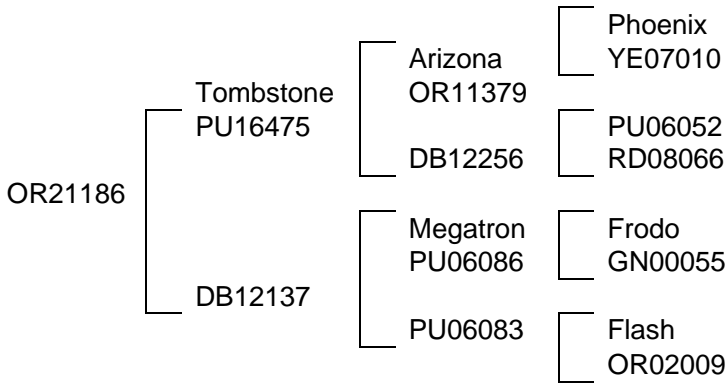
OR21 186



Left & Above OR21 186 at 3 Years



OR21 186 at 2 Years



Actual Statistics

Body Weight						
March Weight	May Weight	9 Mth Weight	10 Mth Weight	13 Mth Weight	27 Mth Weight	36 Mth Weight
94.5	117	139	158	181	251	288

EMA
33.46

%Eik
80.9

Carla
2.39
Low

DoB

18/11/21

Growth rates grams per day				
Birth	May	Sept	13 Mth	
	578	183	350	
Average overall growth rate: 397				

Velvet			
2 Yr		3Yr	
Weight	Beam	Weight	Beam
3.98	16	7.4	17.5

Estimated Breed Values

Wean Weight	Rank
8.04	20

12 Mth Weight	Rank
16.89	19

EMA	Rank
1.61	3

2Yr Velvet	Rank
0.16	29

Mature Velvet	Rank
0.23	30

Carla	Rank
-42.5	49

Notes

Comments:	Sale Day Weight:
Purchaser:	Price:

Terminal Sire Index EBV in Dollars	
\$	Rank
27.11	19

Lot 46



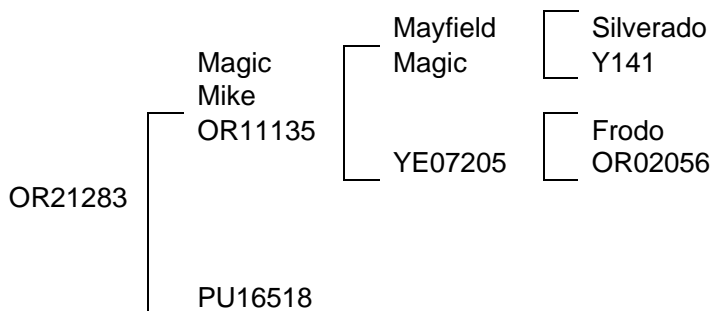
OR21 283



Left & Above OR21 283 at 3 Years



OR21 283 at 2 Years



Actual Statistics

Body Weight						
March Weight	May Weight	9 Mth Weight	10 Mth Weight	13 Mth Weight	27 Mth Weight	36 Mth Weight
66.5	97.5	119	132	174	263	316

EMA
35.99

%EIk
78.6

Carla
43.28
High

DoB

11/1/22

Growth rates grams per day			
Birth	May	Sept	13 Mth
	671	179	462
Average overall growth rate: 437			

Velvet			
2 Yr		3Yr	
Weight	Beam	Weight	Beam
3.94	15.5	6.76	17

Estimated Breed Values

Wean Weight	Rank
4.31	45

12 Mth Weight	Rank
10.19	40

EMA	Rank
0.14	46

2Yr Velvet	Rank
0.13	39

Mature Velvet	Rank
0.2	38

Carla	Rank
40.6	15

Notes

Comments:	Sale Day Weight:
Purchaser:	Price:

Terminal Sire Index EBV in Dollars	
\$	Rank
19.25	39

Lot 47



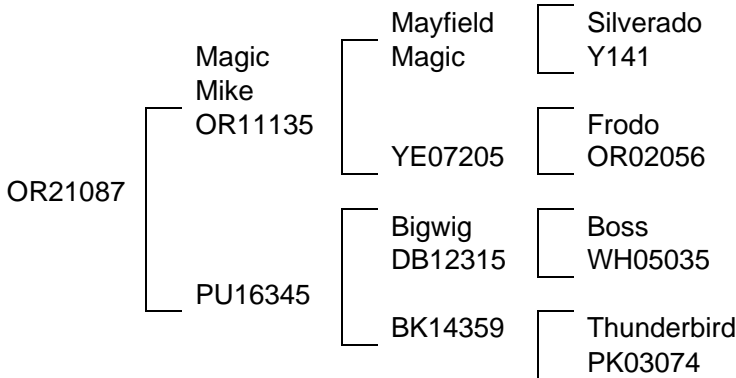
OR21 087



Left & Above OR21 087 at 3 Years



Magic Mike



Actual Statistics

Body Weight						
March Weight	May Weight	9 Mth Weight	10 Mth Weight	13 Mth Weight	27 Mth Weight	36 Mth Weight
76	102	135	141	164	238	281

EMA
30.8

%EIk
82.2

Carla
63.44
High

DoB

6/12/21

Growth rates grams per day			
Birth	May	Sept	13 Mth
	548	275	242
Average overall growth rate: 372			

Velvet			
2 Yr		3Yr	
Weight	Beam	Weight	Beam
2.25	13	4.84	15.5

Estimated Breed Values

Wean Weight	Rank
1.12	56

12 Mth Weight	Rank
6.91	51

EMA	Rank
0.18	44

2Yr Velvet	Rank
0.22	22

Mature Velvet	Rank
0.33	20

Carla	Rank
108.8	4

Notes

Comments:	Sale Day Weight:
Purchaser:	Price:

Terminal Sire Index EBV in Dollars	
\$	Rank
8.32	55

Lot 48

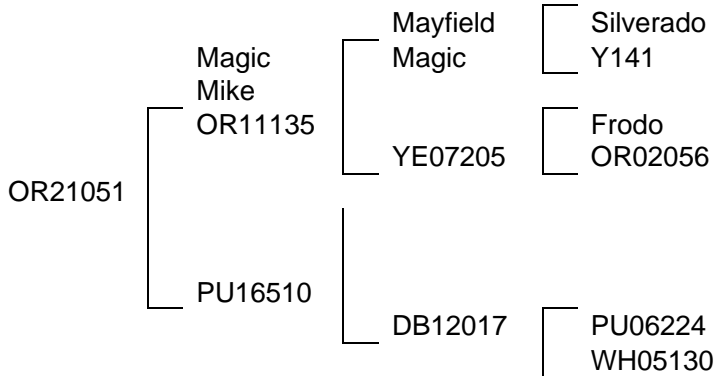
OR21 051



Left & Above OR21 051 at 3 Years



OR21 051 at 2 Years



Actual Statistics

Body Weight						
March Weight	May Weight	9 Mth Weight	10 Mth Weight	13 Mth Weight	27 Mth Weight	36 Mth Weight
84	110	134	144	173	246	280

EMA
36.68

%Elk
78.3

Carla
37.22
High

DoB

2/12/21

Growth rates grams per day				
Birth	May	Sept	13 Mth	
	585	200	325	
Average overall growth rate: 391				

Velvet			
2 Yr		3Yr	
Weight	Beam	Weight	Beam
2.44	13.5	5.1	15.5

Estimated Breed Values

Wean Weight	Rank
3.14	52

12 Mth Weight	Rank
6.05	53

EMA	Rank
0.38	33

2Yr Velvet	Rank
0.13	37

Mature Velvet	Rank
0.2	37

Carla	Rank
18.68	19

Notes

Comments:	Sale Day Weight:
Purchaser:	Price:

Terminal Sire Index EBV in Dollars	
\$	Rank
9.35	53

Lot 49



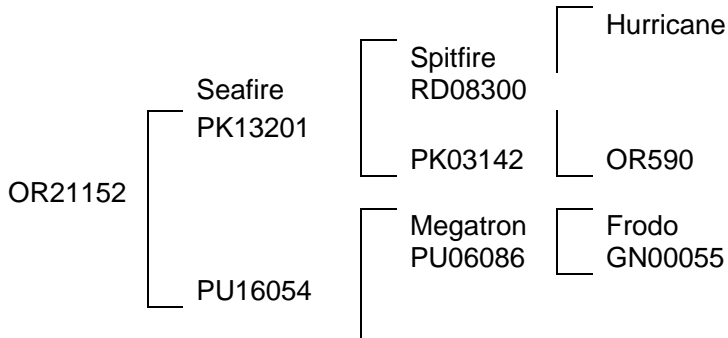
OR21 152



Left & Above OR21 152 at 3 Years



OR21 152 at 2 Years



Actual Statistics

Body Weight						
March Weight	May Weight	9 Mth Weight	10 Mth Weight	13 Mth Weight	27 Mth Weight	36 Mth Weight
84	114	138	152	179	256	301

EMA
32.93

%EIk
73.8

Carla
75.39
High

DoB

5/12/21

Growth rates grams per day				
Birth	May	Sept	13 Mth	
	622	200	342	
Average overall growth rate: 409				

Velvet			
2 Yr		3Yr	
Weight	Beam	Weight	Beam
2.42	13	4.97	15.5

Estimated Breed Values

Wean Weight	Rank
3.78	47

12 Mth Weight	Rank
8.77	46

EMA	Rank
0	49

2Yr Velvet	Rank
0.34	7

Mature Velvet	Rank
0.52	7

Carla	Rank
89.48	6

Notes

Comments:	Sale Day Weight:
Purchaser:	Price:

Terminal Sire Index EBV in Dollars	
\$	Rank
16.40	44

Lot 50



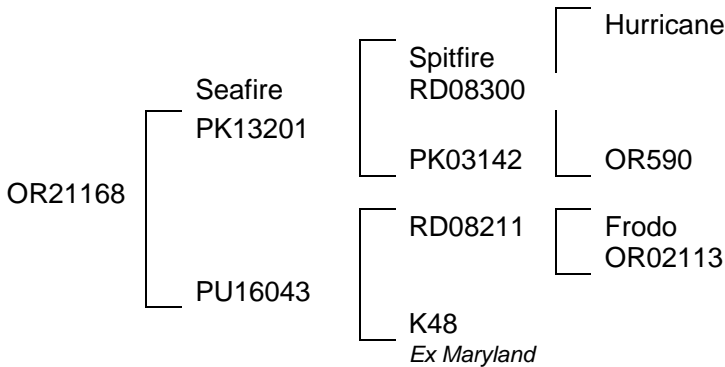
OR21 168



Left & Above OR21 164 at 3 Years



Seafire



Actual Statistics

Body Weight						
March Weight	May Weight	9 Mth Weight	10 Mth Weight	13 Mth Weight	27 Mth Weight	36 Mth Weight
89.5	115	144	149	174	238	282

EMA
37.14

%Eik
68.2

Carla
7.67
High

DoB

30/11/21

Growth rates grams per day				
Birth	May	Sept	13 Mth	
	609	242	250	
Average overall growth rate: 392				

Velvet			
2 Yr		3Yr	
Weight	Beam	Weight	Beam
1.94	14	3.75	14.5

Estimated Breed Values

Wean Weight	Rank
2.6	54

12 Mth Weight	Rank
4.98	54

EMA	Rank
-0.41	56

2Yr Velvet	Rank
0.19	25

Mature Velvet	Rank
0.3	24

Carla	Rank
-19.7	38

Notes

Comments:	Sale Day Weight:
Purchaser:	Price:

Terminal Sire Index EBV in Dollars	
\$	Rank
10.91	51

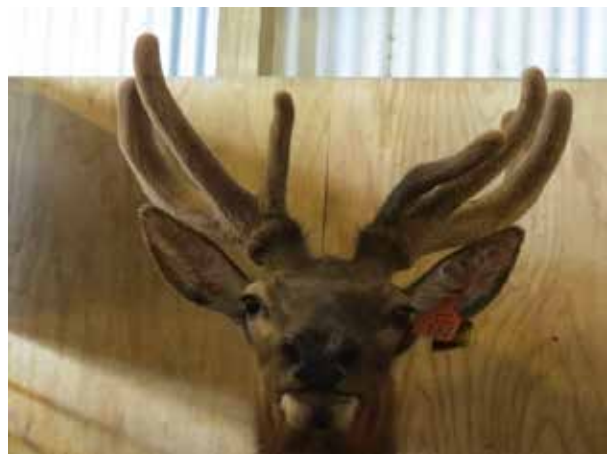
Lot 51



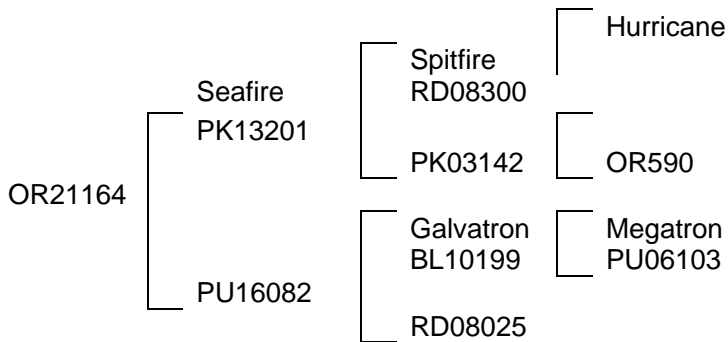
OR21 164



Left & Above OR21 164 at 3 Years



OR21 164 at 2 Years



Actual Statistics

Body Weight						
March Weight	May Weight	9 Mth Weight	10 Mth Weight	13 Mth Weight	27 Mth Weight	36 Mth Weight
98	120	148	155	171	237	280

EMA
40.13

%EIk
74.7

Carla
10.59
High

DoB

29/11/21

Growth rates grams per day				
Birth	May	Sept	13 Mth	
	636	233	192	
Average overall growth rate: 383				

Velvet			
2 Yr		3Yr	
Weight	Beam	Weight	Beam
3.22	15.5	6.02	18.5

Estimated Breed Values

Wean Weight	Rank
5.04	40

12 Mth Weight	Rank
7.45	49

EMA	Rank
-0.24	54

2Yr Velvet	Rank
0.15	35

Mature Velvet	Rank
0.25	28

Carla	Rank
-6.58	32

Notes

Comments:	Sale Day Weight:
Purchaser:	Price:

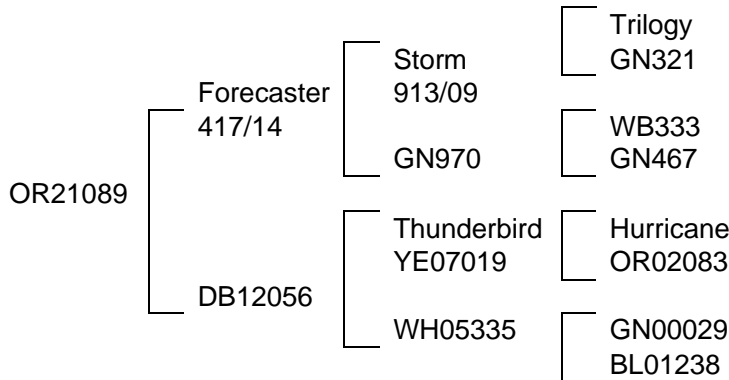
Terminal Sire Index EBV in Dollars	
\$	Rank
13.48	50

Lot 52

OR21 089



Left & Above OR21 089 at 3 Years



Forecaster

Actual Statistics

Body Weight						
March Weight	May Weight	9 Mth Weight	10 Mth Weight	13 Mth Weight	27 Mth Weight	36 Mth Weight
102	126	130	135	175	250	311

EMA
31.4

%Elk
76.2

Carla
2.69
Low

DoB

20/11/21

Growth rates grams per day			
Birth	May	Sept	13 Mth
637	33	375	
Average overall growth rate: 384			

Velvet			
2 Yr		3Yr	
Weight	Beam	Weight	Beam
2.32	13	3.79	15

Estimated Breed Values

Wean Weight	Rank
8.67	16

12 Mth Weight	Rank
12.95	33

EMA	Rank
-0.27	55

2Yr Velvet	Rank
0.07	44

Mature Velvet	Rank
0.10	44

Carla	Rank
-19.3	37

Notes

Comments:	Sale Day Weight:
Purchaser:	Price:

Terminal Sire Index EBV in Dollars	
\$	Rank
22.85	32

Lot 53



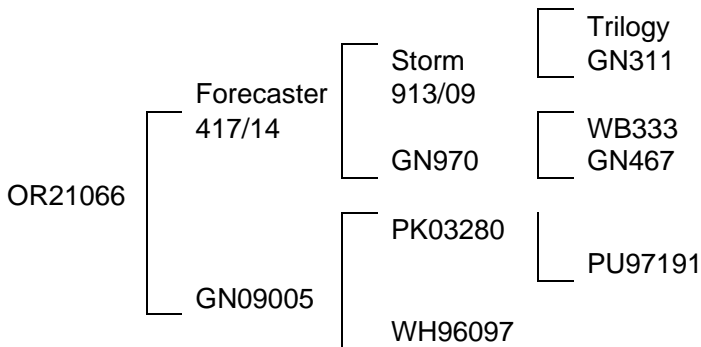
OR21 066



Left & Above OR21 066 at 3 Years



OR21 066 at 3 Years



Actual Statistics

Body Weight						
March Weight	May Weight	9 Mth Weight	10 Mth Weight	13 Mth Weight	27 Mth Weight	36 Mth Weight
97	118	138	149	172	235	279

EMA
42.47

%Elk
79.9

Carla
1.296
Low

DoB

9/12/21

Growth rates grams per day				
Birth	May	Sept	13 Mth	
	664	167	283	
Average overall growth rate: 395				

Velvet			
2 Yr		3Yr	
Weight	Beam	Weight	Beam
2.32	13	3.64	15

Estimated Breed Values

Wean Weight	Rank
7.10	24

12 Mth Weight	Rank
9.03	44

EMA	Rank
0.34	37

2Yr Velvet	Rank
0.04	49

Mature Velvet	Rank
0.06	48

Carla	Rank
-67.1	57

Notes

Comments:	Sale Day Weight:
Purchaser:	Price:

Terminal Sire Index EBV in Dollars	
\$	Rank
17.89	42

Lot 54

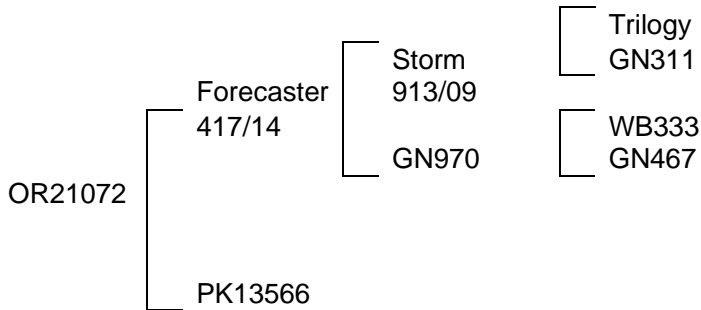
OR21 072



Left & Above OR21 072 at 3 Years



OR21 072 at 2 Years



Actual Statistics

Body Weight						
March Weight	May Weight	9 Mth Weight	10 Mth Weight	13 Mth Weight	27 Mth Weight	36 Mth Weight
72.5		127	136	160	223	271

EMA
35.09

%Elk
75.6

Carla
10.19
High

DoB

7/12/21

Growth rates grams per day			
Birth	May	Sept	13 Mth
			275
Average overall growth rate: 363			

Velvet			
2 Yr		3Yr	
Weight	Beam	Weight	Beam
2.97	14	5.03	16

Estimated Breed Values

Wean Weight	Rank
7.64	23

12 Mth Weight	Rank
10.41	39

EMA	Rank
0.5	30

2Yr Velvet	Rank
0.17	26

Mature Velvet	Rank
0.25	27

Carla	Rank
-38.6	47

Notes

Comments:	Sale Day Weight:
Purchaser:	Price:

Terminal Sire Index EBV in Dollars	
\$	Rank
19.87	38

Lot 55

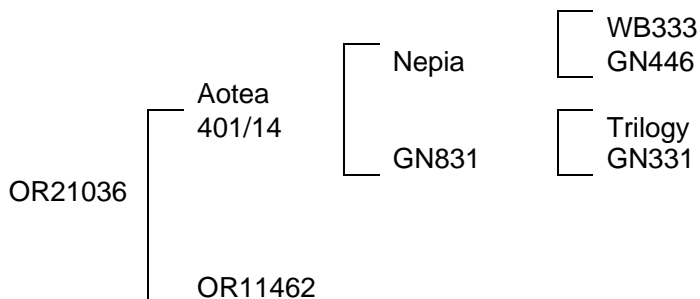
OR21 036



Left & Above OR21 036 at 3 Years



OR21 036 at 3 Years



Actual Statistics

Body Weight						
March Weight	May Weight	9 Mth Weight	10 Mth Weight	13 Mth Weight	27 Mth Weight	36 Mth Weight
86.5	115	139	156	175	244	294

EMA
35.89

%Elk
71.9

Carla
43.73
High

DoB

30/11/21

Growth rates grams per day				
Birth	May	Sept	13 Mth	
	609	200	300	
Average overall growth rate: 394				

Velvet			
2 Yr		3Yr	
Weight	Beam	Weight	Beam
3.79	16	6.36	18.5

Estimated Breed Values

Wean Weight	Rank
4.98	42

12 Mth Weight	Rank
9.65	42

EMA	Rank
0.39	32

2Yr Velvet	Rank
0.04	48

Mature Velvet	Rank
0.05	50

Carla	Rank
23.64	17

Notes

Comments:	Sale Day Weight:
Purchaser:	Price:

Terminal Sire Index EBV in Dollars	
\$	Rank
17.60	43

Lot 56



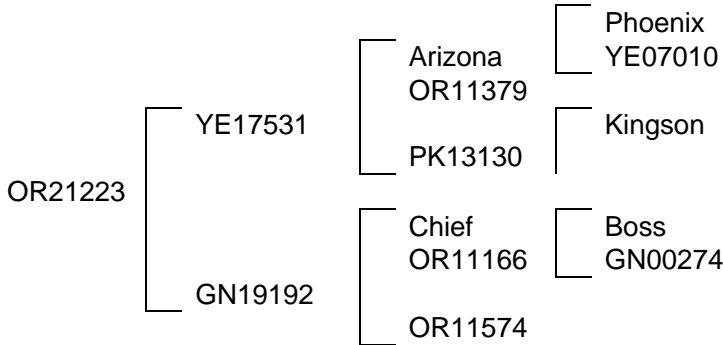
OR21 223



Left & Above OR21 223 at 3 Years



OR21 223 at 2 Years



Actual Statistics

Body Weight						
March Weight	May Weight	9 Mth Weight	10 Mth Weight	13 Mth Weight	27 Mth Weight	36 Mth Weight
70	90	111		157	229	281

EMA

DoB

%EIk
77.5

16/12/21

Carla

Growth rates grams per day				
Birth	May	Sept	13 Mth	
	500	175	387	
Average overall growth rate: 364				

Velvet			
2 Yr		3Yr	
Weight	Beam	Weight	Beam
2.42	14	5.12	16

Estimated Breed Values

Wean Weight	Rank
3.16	51

12 Mth Weight	Rank
14.04	30

EMA	Rank
1.65	2

2Yr Velvet	Rank
0.43	2

Mature Velvet	Rank
0.66	2

Carla	Rank
-1.64	31

Notes

Comments:	Sale Day Weight:
Purchaser:	Price:

Terminal Sire Index EBV in Dollars	
\$	Rank
26.02	23

Lot 57



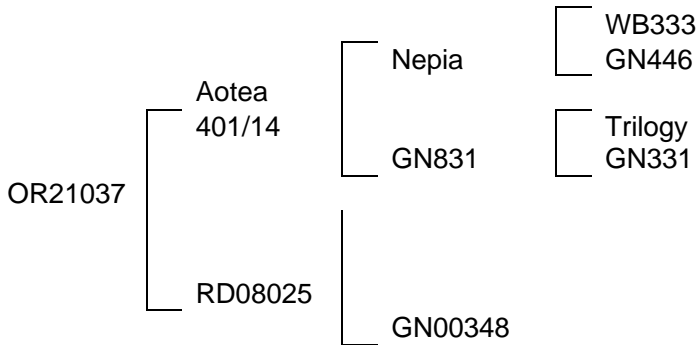
OR21 037



Left & Above OR21 037 at 3 Years



OR21 037 at 2 Years



Actual Statistics

Body Weight						
March Weight	May Weight	9 Mth Weight	10 Mth Weight	13 Mth Weight	27 Mth Weight	36 Mth Weight
92.5	120	127	135	162	226	279

EMA
33.06

%Elk
76.3

Carla
23.69
High

DoB

29/11/21

Growth rates grams per day			
Birth	May	Sept	13 Mth
632	58	292	
Average overall growth rate: 361			

Velvet			
2 Yr		3Yr	
Weight	Beam	Weight	Beam
2.91	14.5	6.47	17

Estimated Breed Values

Wean Weight	Rank
4.99	41

12 Mth Weight	Rank
8.45	48

EMA	Rank
-0.07	52

2Yr Velvet	Rank
-0.04	56

Mature Velvet	Rank
-0.05	56

Carla	Rank
3.49	27

Notes

Comments:	Sale Day Weight:
Purchaser:	Price:

Terminal Sire Index EBV in Dollars	
\$	Rank
15.18	46

Notes

Notes

BUYER'S INSTRUCTION SLIP

(No verbal instructions can be accepted)

Name _____

Address _____

Lots Purchased _____

_____ Total Number _____

Delivered to _____

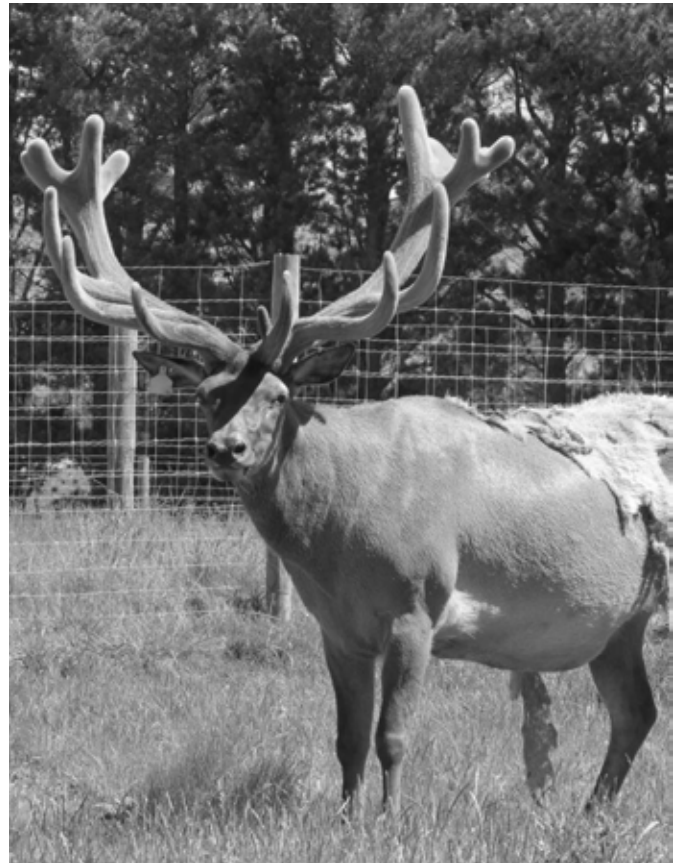
Insure for (State Period) _____ Months _____

Signature of Buyer _____





Wasabi GN00207



Phoenix WH05043



Arizona (OR11379)



Tombstone (PU16475)

4 Generations of Top Bulls

NOTES:

M McMAHON design studio

A: 9 Cumnock Street, Wallacetown, Southland
P: 027 242 8109
E: bridget@mcmahondesign.nz

*We'd love to learn about your project
& help your vision come to life.*

Visit us at:

www.mcmahondesign.nz

and request a quote.

Find us on:   
[@mcmahondesignstudio](https://www.instagram.com/mcmahondesignstudio)

OUR SERVICES INCLUDE:

Logo Design & Custom Branding Packages
Personal & Family Stationery - Business Stationery
Wedding & Event Packages: Emblem Design,
Save the Date Cards, Invitation Suites, Envelopes,
Guest Favours & Thank You Cards, Bridal Party Gifts,
Banners, Presentations & Signage Solutions
Custom & Promo Gifts: Pens & Notepads, Keychains,
Glassware, Metalware & Wooden Items & Clothing
Signage & Printed Whiteboards, Posters & Flyers
Stickers, Tags & Vinyl Decals, Heat Transfer Decals
Packaging: Gift Bags/Boxes & Wrapping Paper
and so much more....

Celebrating You with truly unique & customised solutions for your design & print needs.

Clachanburn Stn

316 Puketoi Runs Road
Ranfurly, 9398

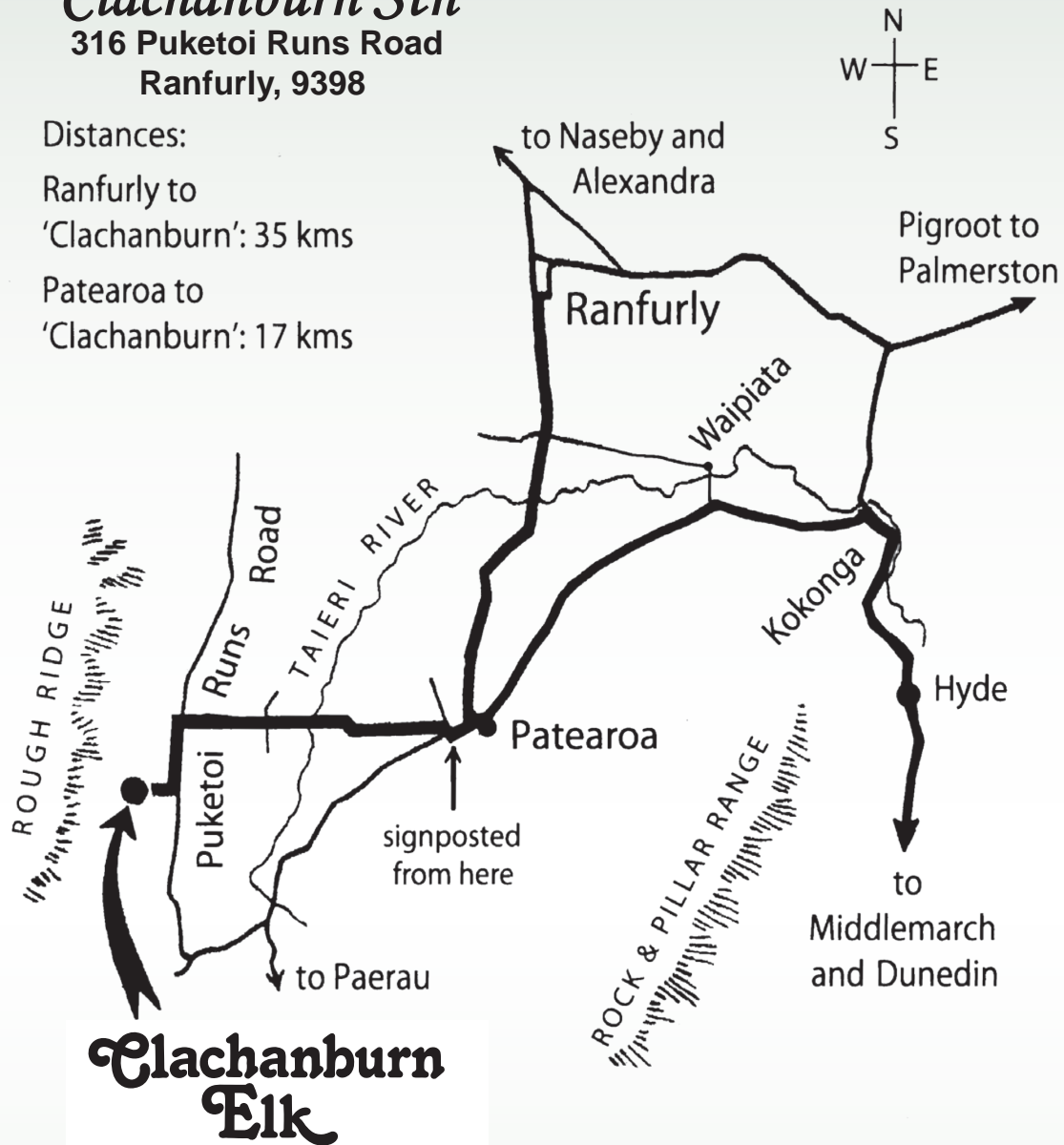
Distances:

Ranfurly to

'Clachanburn': 35 kms

Patearoa to

'Clachanburn': 17 kms



Travel from Ranfurly to Patearoa. At Patearoa cross Sowburn bridge, continue $\frac{1}{2}$ km then 1st turn right. After 200m take 1st turn left, cross Taieri River, drive towards hill (Rough Ridge) and at T-intersection turn left. Clachanburn is 3 km along, on right side of road. Signposted south of Patearoa.